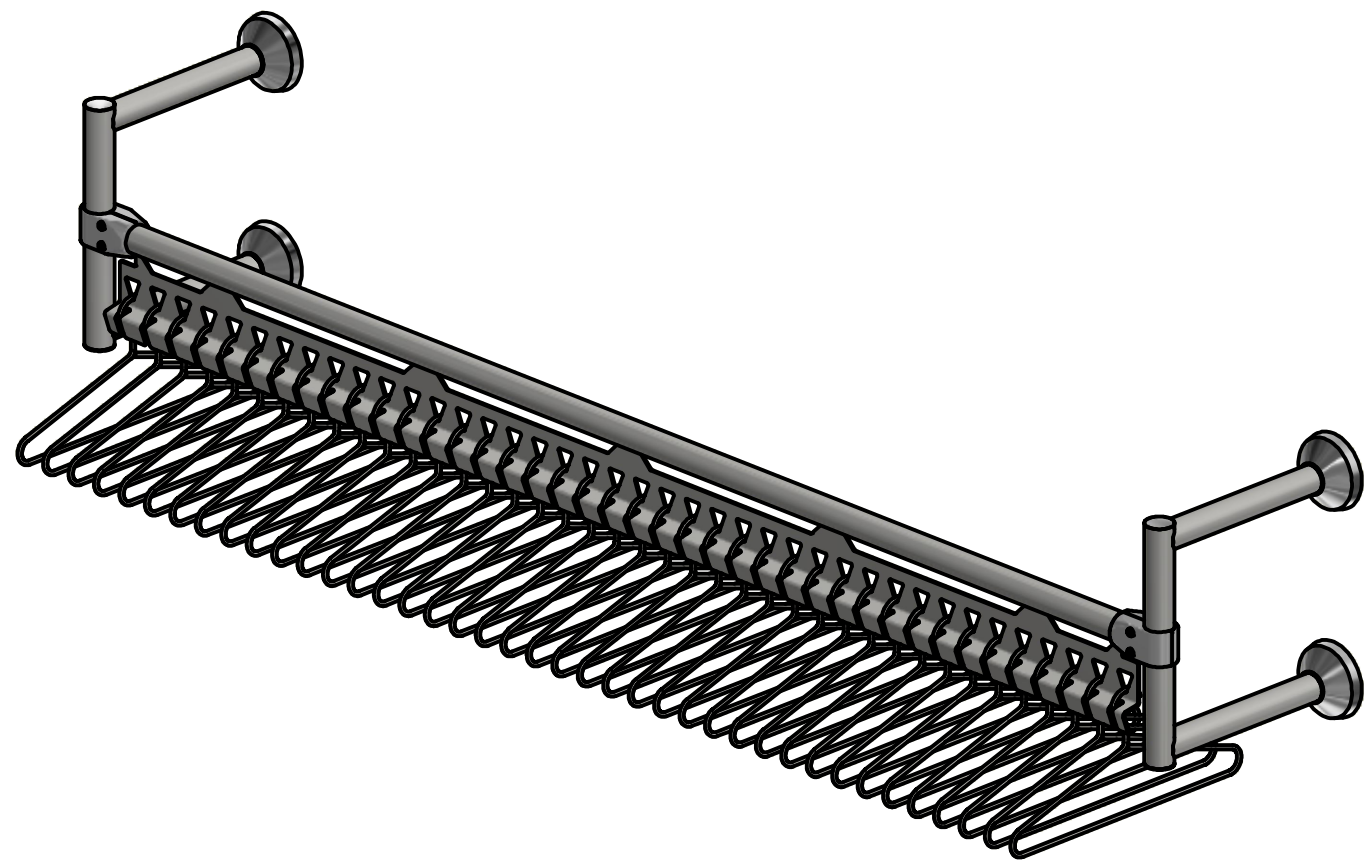
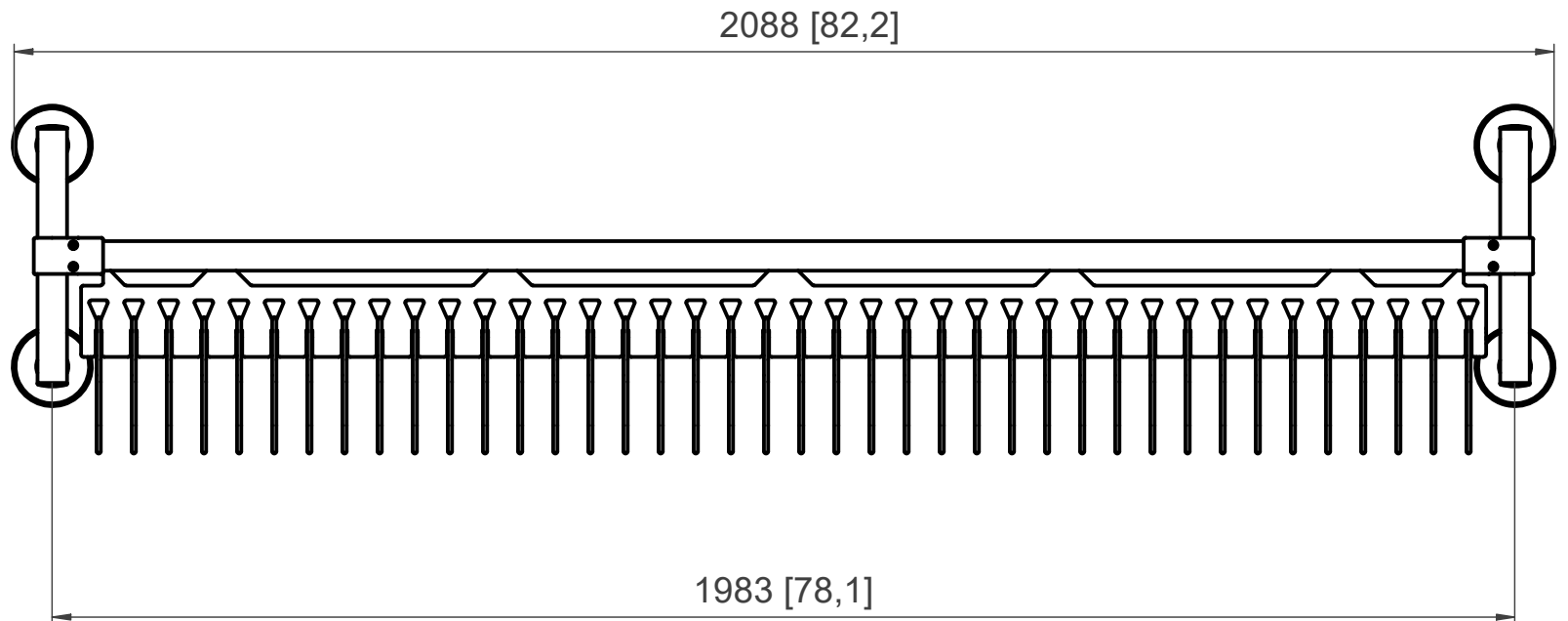
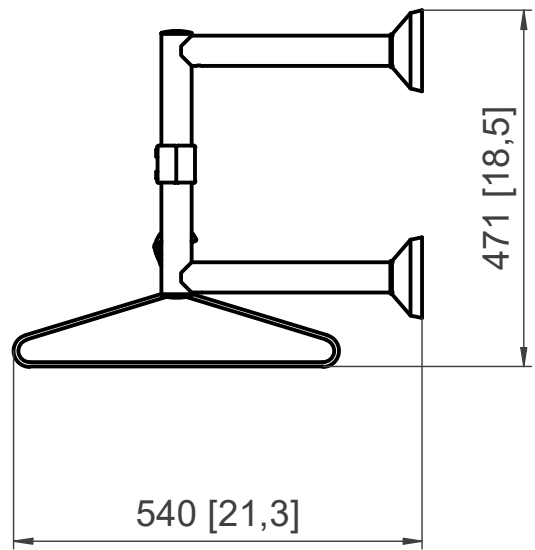


Fabrication materials: Stainless Steel 304L with electro-polished finish & Aluminium anodized connectors



Estimation total weight 22 kg	VARIATION IN DIMENSIONS WITHOUT TOLERANCE IND. DIN 7168		PalbamClass EN HAROD IHUD	EUROPE PROJ 	
	BREAK EDGES 0.3x45	STATUS MEDIUM			REV
ALL RIGHTS STRICTLY RESERVED USE, REPRODUCTION OR ISSUE TO THIRD PARTY IN ANY FORM WHATEVER IS NOT PERMITTED UNLESS AUTHORIZED IN WRITING BY THE PROPRIETOR PalbamClass IL-18960 EN-HAROD IHUD-ISRAEL.	INNER RADIUS	SURF. ROUGH. PER ISO 1302	Wall Mount Gownrack 40		
	DATE	NAME	GRW40CMP		
	DESG	19/11/2007	Alexey	DWG. No.	PCGG1911-000
	APPR				
SCALE 1:10					
SIZE A3					
SHEET 1 / 1					
CONTROLLED COPIES OF THIS DOCUMENT HAVE A RED ISSUE DATE STAMP, THESE COPIES WILL BE UPDATED BY PALBAM CLASS INFORMATION SYSTEM. ANY OTHER COPY IS NOT CONTROLLED AND THEREFORE NOT UPDATED. PLEASE CHECK WITH INFORMATION SYSTEM FOR VALIDITY OF DOCUMENT.					