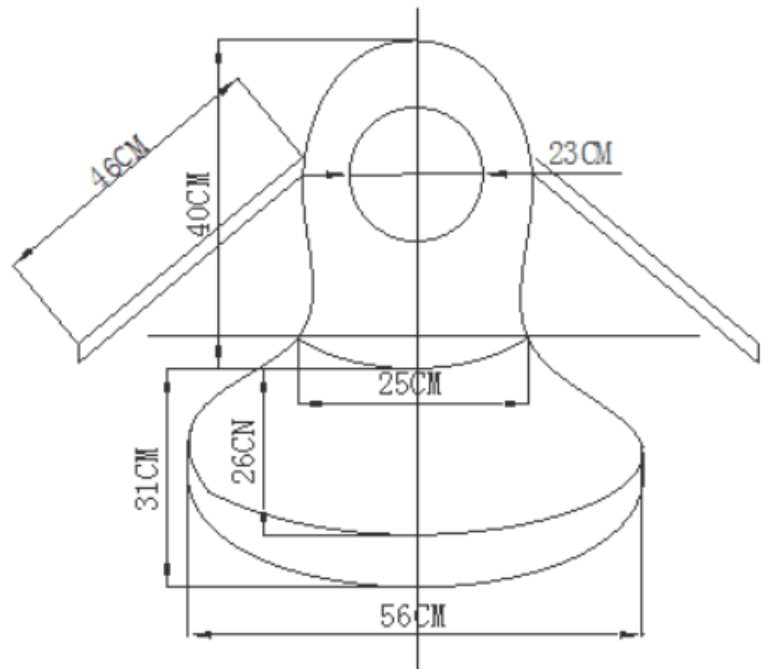


- Description:** Hood-Bouffant Cap, Latex Free
Size: One Size Fits All
Packaging: 20pcs/vacuum sealed bag, double bagged, 10bags/case
Color: White
Material: 30 Gram Polypropylene Fabric

CHARACTERISTICS:

Hood-Bouffant caps latex free are made of 30 grams/m² by weight, anti-static spunbonded polypropylene material and latex free elastic, commonly used in a clean environment. Hood-Bouffant caps are available in white and manufactured, vacuum-sealed and double bagged in a stringent clean environment (workshop closed and installed air-conditioner).



XC7130 Material

Physical Properties

Test Item	Test Standard	Result
Weight (g/m ²)	ASTM D3776/D-3776M-20 (option C)	29.3
Ball Burst Strength, lbf	ASTM D3787-16	40.5
Mullen Burst Strength, psi	ASTM D3786/D3786M-18	6.0
Tearing Strength Length, lbf Width, lbf	ASTM D5587-15	4.8 8.1
Tensile Strength Length, lbf Width, lbf	ASTM D 5034-09, Grab Method	10.1 12.1
Particle Shedding (Helmke Drum)	IEST-RP-CC003.4	Category II
Barrier Properties		
Bacterial Filtration Efficiency	ASTM F2101	38.5%
Differential Pressure (mm H ² O/cm ²)		0.18
Water Resistance, Impact	AATCC 42-2007	26.5