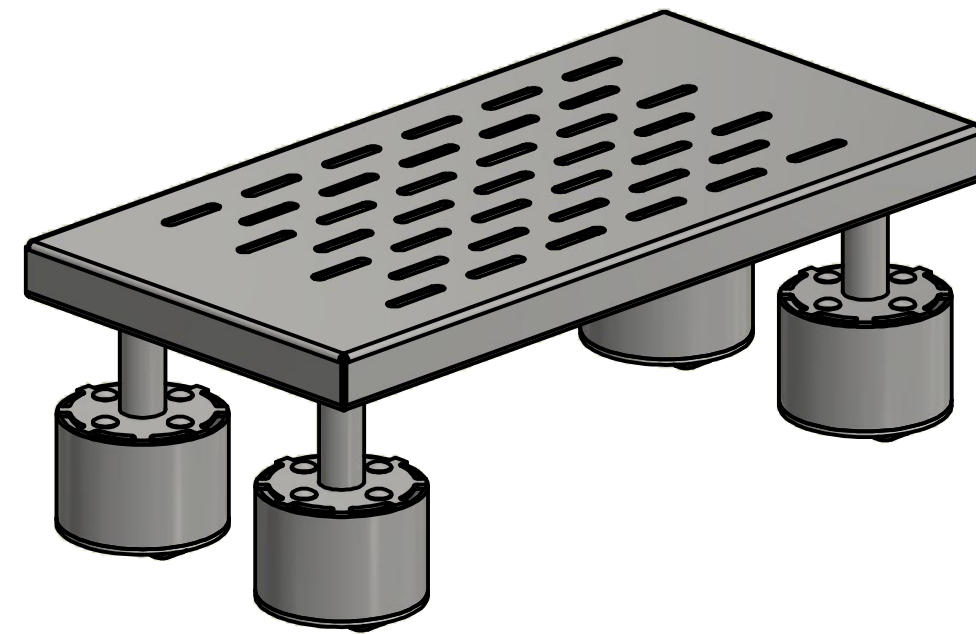
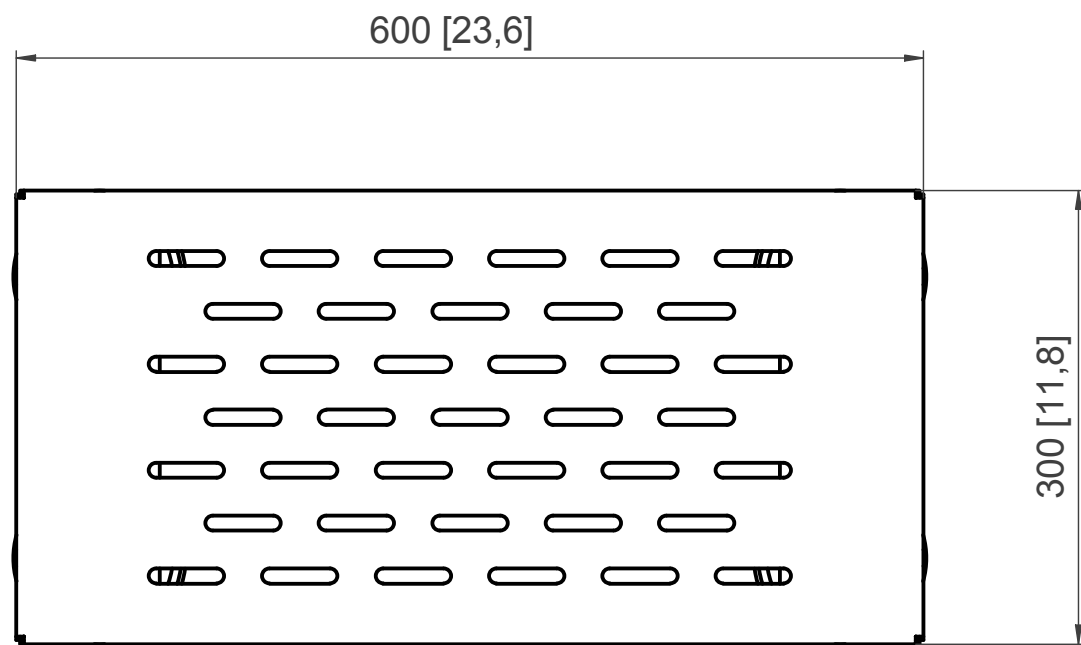
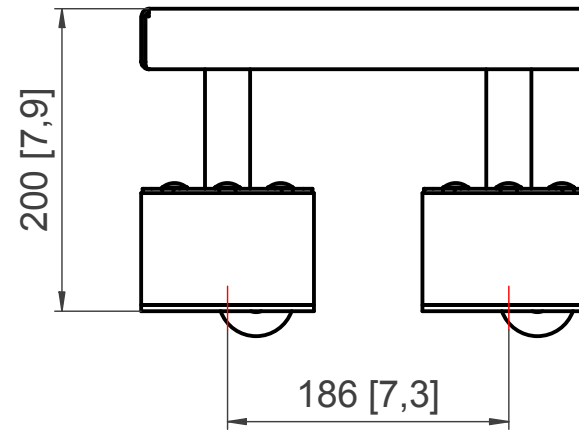
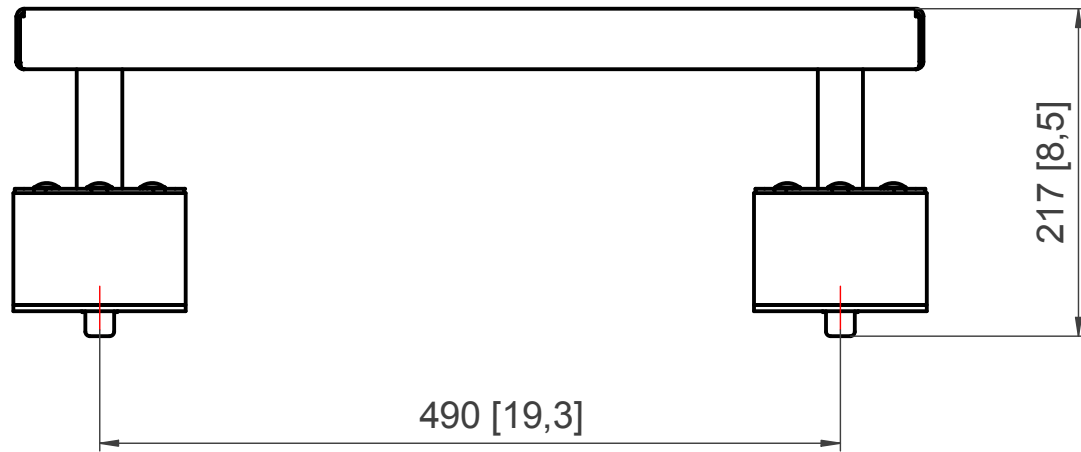


Fabrication materials: Stainless Steel 304L with electro-polished finish



| | | | | |
|--|---|---------------------------|--|-----------------|
| Estimation total weight 13 kg | VARIATION IN DIMENSIONS WITHOUT TOLERANCE IND. DIN 7168 | | PalbamClass EN HAROD IHUD | EUROPE PROJ |
| | BREAK EDGES 0.3x45 | STATUS MEDIUM | | |
| ALL RIGHTS STRICTLY RESERVED USE. REPRODUCTION OR ISSUE TO THIRD PARTY IN ANY FORM WHATEVER IS NOT PERMITTED UNLESS AUTHORIZED IN WRITING BY THE PROPRIETOR PalbamClass IL-18960 EN-HAROD IHUD-ISRAEL. | INNER RADIUS | SURF. ROUGH. PER ISO 1302 | 1 Step Ladder with retractable casters | |
| | DATE 14/02/2007 | NAME Alexey | 1-STLD | |
| | DESIG | | DWG. No. | PCCL0601-000 |
| | APPR | | | |
| SCALE 1:5 | | | | |
| SIZE A3 | | | | |
| SHEET 1 / 1 | | | | |

CONTROLLED COPIES OF THIS DOCUMENT HAVE A RED ISSUE DATE STAMP, THESE COPIES WILL BE UPDATED BY PALBAM CLASS INFORMATION SYSTEM. ANY OTHER COPY IS NOT CONTROLLED AND THEREFORE NOT UPDATED. PLEASE CHECK WITH INFORMATION SYSTEM FOR VALIDITY OF DOCUMENT.