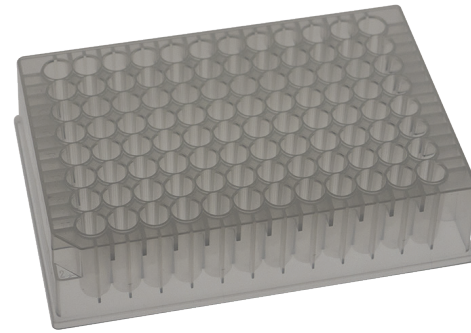




i-labpro.com



GENERAL SPECIFICATIONS

NUMBER OF WELLS:	96
WELL TOP SHAPE:	Round
WELL BOTTOM SHAPE:	Round - U
NOTCH LOCATION:	H1
FOOTPRINT:	ANSI/SLAS 1-2004
MATERIAL:	Polypropylene
COLOR:	Natural
TEMPERATURE RANGE:	-80C to 120C
CENTIFUGATION (MAX.):	4,000 x g
AUTOCLAVABLE:	121C at 15 psi, 15 min.
AUTOMATION COMPATIBLE:	Yes

CRITICAL DIMENSIONS

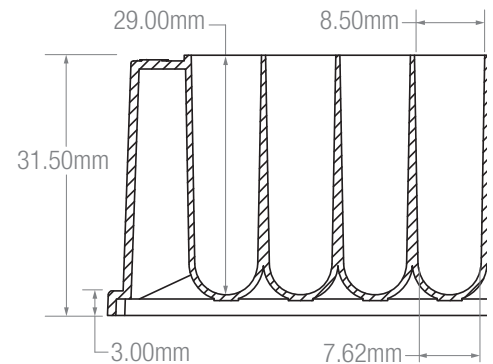
PLATE HEIGHT:	31.5mm
PLATE LENGTH (BOT):	127.78mm
PLATE WIDTH (BOT):	85.47mm
PLATE LENGTH (TOP):	122.07mm
PLATE WIDTH (TOP):	79.47mm
FLANGE HEIGHT:	3.0mm
WELL A1 (X,Y):	14.4mm, 11.24mm
WELL DEPTH:	29.0mm
WELL DIA. (TOP):	8.53mm
WELL DIA. (BOT):	7.6mm
WELL BOTTOM TO DECK:	2.0mm
OVERALL VOLUME:	1.3mL
WORKING VOLUME:	1.2mL
VOLUME WITH MAT:	1.1mL

PACKAGING CONFIGURATIONS

PACKAGING QUANTITY (CS):	50; 5 per Pack
CASE DIMENSIONS (IN.):	7 x 10.75 x 17.75
CASE WEIGHT (LBS.):	8.8
CASES PER PALLET:	80

STORAGE

Keep out of sunlight. Store in a cool dry place. Keep away from sources of ozone or ignition.



COMMON APPLICATIONS

Mixing, High Volume Compound Storage, Space Restricted areas (i.e., under Flow Hoods), HTS/Automation, Collection (SPE/SLE, Filtration, Phospholipid, Protein Crash, etc.), and Chromatography

COMPATIBLE SEALING MAT OPTIONS

ITEM NUMBER:	DESCRIPTION:
DPMATR-9-PRT	Silicone 96 well, 8.5mm dia Round Printed
DPMATR-9-BULK	Silicone 96 well, 8.5mm dia. Round
SLT-RD-9-PRT	Pre-slit Silicone 96, 8.5mm Round Printed

All plates can be sealed with adhesive or heat seal films.

COMPARE TO OTHER PLATES

SUPPLIER:	ITEM NO.:	VWR NO.:	FISHER NO.:
Nunc	260252	73520-122	12-565-395
BrandTech	701340	76181-496	14-380-803
Ritter	43001-0101		
Agilent	203426-100		
Phenomenex	AH0-9332		
Agilent/Infinity Lab	5043-9309		

