

Ultra Series

Flammable Material Storage Refrigerators & Freezers

Our **ULTRA Series** flammable material storage laboratory refrigerators and freezers are specifically designed to ensure safety for the storage of flammable and volatile materials. These units are acceptable for use in non-specified and/or general laboratory areas.



LABRepCo

One Company • Many Solutions

101 Witmer Road, Suite 700 Horsham, PA 19044 / www.labrepco.com / (800) 521-0754 / sales@labrepco.com

Our **ULTRA ELITE** Series flammable material storage laboratory undercounter refrigerator & freezers are designed to ensure safety for the storage of flammable and volatile materials. These units are acceptable for use in non-specified and/or general laboratory areas.



Standard Product Features:

- Defrost:
 - Refrigerator: Cycle defrost
 - Freezer: Manual defrost
- Available in 5 cu. ft.
- Operating Temperature:
 - Refrigerator: +1° to +10°C
 - Freezer: -15°C to -25°C
- Meets NFPA and OSHA guidelines for flammable material storage in general laboratory work areas
- Digital temperature display
- Audible and visual high and low temperature alarms
- Magnetic door gasket for positive seal
- High density urethane foam cabinet and door insulation
- HFC-free refrigerant (R600a), foam insulation and packaging
- Leveling Legs
- Heavy duty wire shelves
- White textured cabinet and door
- Key lock door, right hand swing
- Solid door with integrated handle
- 115V operation
- Units meet NFPA guidelines 45 and 70
- Quality certified with 100% unit temperature testing
- UL listed
- Warranties: 2 years parts and labor



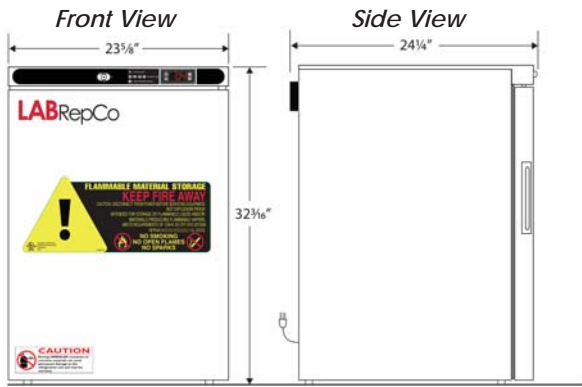
LHE-5-RF



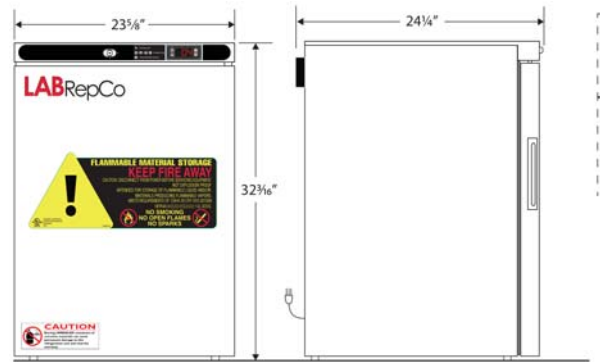
LHE-5-RF & LHE-5-FF
feature Hydrocarbon refrigerant

**Note: This unit must have 4" clearance
on sides and back for adequate ventilation*

Specifications and Ordering Information:



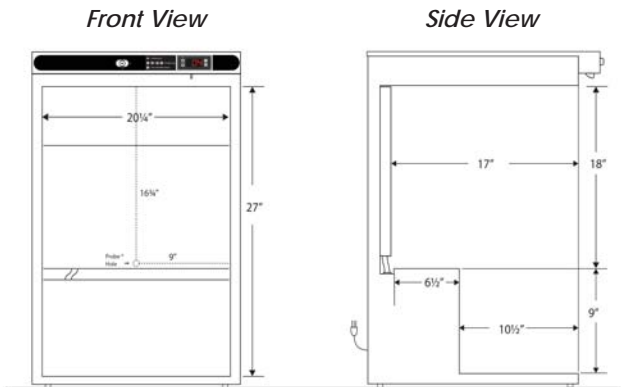
LHE-5-RF



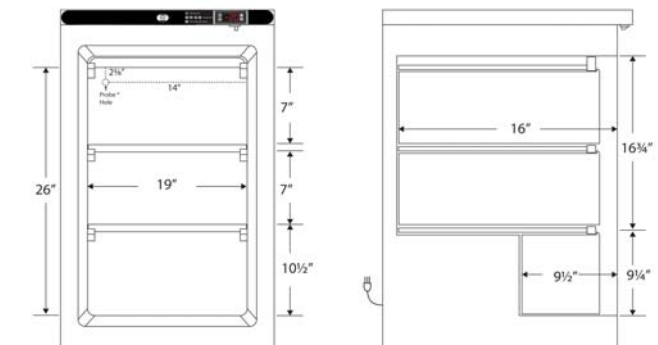
LHE-5-FF

Models	<i>LHE-5-RF</i> (Refrigerator)	<i>LHE-5-FF</i> (Freezer)
Weight (lbs):	114	121
Overall Height (in.):	32 3/16	32 3/16
Overall Width (in.):	23 5/8	23 5/8
Overall Depth (in.):	24 1/4	24 1/4
Interior Height (in.):	27	26
Interior Width (in.):	20 1/4	19
Interior Depth (in.):	17	16
Interior Cu. Ft.:	5	4
Temperature Range:	+ 1°C to +10°C	-15°C to -25°C
Number of Shelves:	3 adj	2 fixed
Defrost Type:	Cycle	Manual
Refrigerant Type:	R600a	R600a
Compressor Size HP:	1/9	1/8
Plug (receptacle):	5-15R	5-15R
Total Amp Draw:	1.2	1.4
Voltage:	115V, 60Hz	115V, 60Hz

Specifications subject to change without notice.



LHE-5-RF



LHE-5-FF

Receptacle Required
115V/1PH/ 60Hz
NEMA-5-15R



Scan to view LHE-5-RF



Scan to view LHE-5-FF

LABRepCo

One Company • Many Solutions

Revision Date: 2/29/2016

UltraElite

Flammable Material Storage Upright Refrigerators & Freezers

Our **ULTRA ELITE Series** flammable material storage laboratory refrigerators & freezers are designed to ensure safety for the storage of flammable and volatile materials. These units are acceptable for use in non-specified and/or general laboratory areas.

Standard Product Features:

- Manual defrost
- Variety of sizes from 14-30 cu. ft.
- Operating Temperature:
 - Refrigerator: +1° to +10°C
 - Freezer: -15°C to -25°C
- Meets NFPA guidelines 45 and 70 for flammable material storage in general laboratory work areas
- Microprocessor Temperature Controller
- Digital Temperature Display and Alarm Module
 - Sample simulated digital temperature display; .1°
 - Adjustable temperature display in Celsius or Fahrenheit
 - Resettable 1-point min/max history
 - Audible and visual high/low temperature alarms
 - Sensor error alarm
 - Power failure alarm
 - Alarm testing capabilities
- Remote alarm contacts
- Keyed door lock
- Magnetic door gasket for positive seal
- Heavy duty door handle
- Leveling legs
- One probe access port (3/8")
- White textured cabinet and door
- High density urethane foam cabinet and door insulation
- CFC-free refrigerant (R134a), foam insulation and packaging
- Quality certified with 100% unit temperature testing
- 115V operation
- UL listed
- Warranties: 2 years parts and labor

Optional Features:

- Caster Platform

LABRepCo

One Company • Many Solutions

101 Witmer Road, Suite 700 Horsham, PA 19044 / www.labrepco.com / (800) 521-0754 / sales@labrepco.com



LHE-20-FF





Meets NFPA and OSHA guidelines for flammable material storage in general laboratory work areas



DISCLAIMER: Please check with your safety or industrial hygiene department for specific storage guidelines

Models	LHE-14-RF	LHE-14-FF	LHE-17-RF	LHE-17-FF	LHE-20-RF	LHE-20-FF	LHE-30-RF	LHE-30-FF
Weight (lbs)	236	233	264	261	316	313	381	378
Overall Height (in.)	67 7/16	68 7/16	73 11/16	73 11/16	79 3/16	79 3/16	78 15/16	78 15/16
Overall Width (in.)	29 3/4	29 3/4	34	34	34	34	35 3/4	35 3/4
Overall Depth (in.)	36 5/8	36 5/8	34 11/16	34 11/16	36 13/16	36 3/16	38 1/2	38 1/2
Avg. Temperature:	+4°C	-20°C	+4°C	-20°C	+4°C	-20°C	+4°C	-20°C
Interior Cu. Ft.	14	14	17	17	20	20	30	30
Number of Shelves	2 fixed, 1 adj	3 fixed	2 fixed, 1 adj	3 fixed	3 fixed, 1 adj	4 fixed	5 adj	3 fixed, 2 adj
Refrigerant	R134a	R134a	R134a	R134a	R134a	R134a	R404a	R404a
Defrost Type	Manual	Manual	Manual	Manual	Manual	Manual	Manual	Manual
Compressor Size HP	1/3	1/3	1/3	1/3	1/3	1/3	1/3	1/3
Plug (receptacle)	5-15R	5-15R	5-15R	5-15R	5-15R	5-15R	5-15R	5-15R
Total Amp Draw	5	5	5	5	5	5	6	6
Voltage	115V, 1PH, 60Hz	115V, 1PH, 60Hz	115V, 1PH, 60Hz	115V, 1PH, 60Hz	115V, 1PH, 60Hz	115V, 1PH, 60Hz	115V, 1PH, 60Hz	115V, 1PH, 60Hz

Specifications subject to change without notice.

Receptacle Required
115V/1PH/ 60Hz
NEMA-5-15R



Scan to view on web



LABRepCo

One Company • Many Solutions

Revision Date: 1/20/2014

UltraTouch

Flammable Material Storage Refrigerators & Freezers

Our **ULTRA TOUCH** Series flammable material storage laboratory refrigerators & freezers are designed to ensure safety for the storage of flammable and volatile materials. These units are acceptable for use in non-specified and/or general laboratory areas.

Standard Product Features:

- Manual defrost
- Variety of sizes from 14-30 cu. ft.
- Temperature Range: Ref.: +1° to +10°C/Freezer: -15°C to -25°C
- Meets NFPA guidelines 45 and 70 for flammable material storage in general laboratory work areas
- Microprocessor Temperature Controller
- Touch Screen Digital Temperature Display and Alarm Module
 - Password-protected control panel
 - Sample simulated digital temperature display; .1°
 - Resolution, adjustable temperature display in Celsius or Fahrenheit
 - Active temperature scale bar display
 - Resettable 1-point min/max history
 - Digital 24-hour temperature chart
 - Temperature data logging
 - USB port for data transfer and software updates
 - Real-time operational display clock
 - 4-20mA output
 - Electronic troubleshooting guide
 - Electronic QR Code to access Owner's Manual & technical support contact information
 - Adjustable alarm volume
 - Audible and visual high/low temperature alarms
 - Sensor error alarm
 - Power failure alarm
 - Door ajar alarm
 - Low battery alarm
 - Operation indicator
 - Alarm validation (audible, visual, and remote alarm)
 - Alarm mute with ring back
- Remote alarm contacts
- Keyed door lock
- Magnetic door gasket for positive seal
- Heavy duty door handle
- Leveling legs
- One probe access port (3/8")
- White textured cabinet and door
- High density urethane foam cabinet and door insulation
- CFC-free refrigerant (R134a), foam insulation and packaging
- Quality certified with 100% unit temperature testing
- 115V operation
- UL listed
- Warranties: 3 years parts and labor

Optional Features:

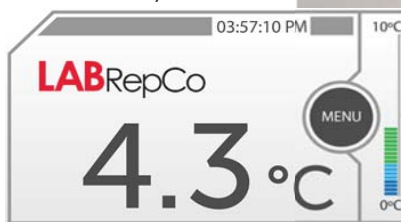
- Caster platform

LABRepCo

One Company • Many Solutions



LHT-30-RF

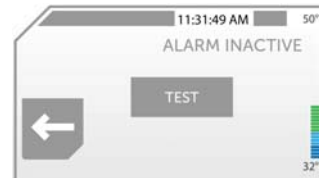
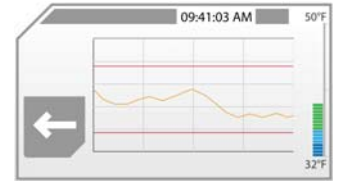
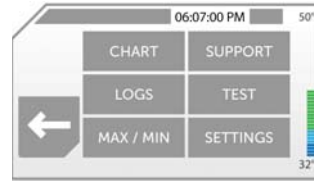


Meets NFPA and OSHA guidelines for flammable material storage in general laboratory work areas



Touch Screen Features:

- LCD Touch Screen
- Remote Alarm Contacts
- High/Low Temp Alarms
- USB Port for Exporting Data



DISCLAIMER: Please check with your safety or industrial hygiene department for specific storage guidelines

Models	LHT-14-RF	LHT-14-FF	LHT-17-RF	LHT-17-FF	LHT-20-RF	LHT-20-FF	LHT-30-RF	LHT-30-FF
Weight (lbs)	236	233	264	261	316	313	381	378
Overall Height (in.)	67 7/16	68 7/16	73 11/16	73 11/16	79 3/16	79 3/16	78 15/16	78 15/16
Overall Width (in.)	29 3/4	29 3/4	34	34	34	34	35 3/4	35 3/4
Overall Depth (in.)	36 5/8	36 5/8	34 11/16	34 11/16	36 13/16	36 13/16	38 1/2	38 1/2
Avg. Temperature	+4°C	-20°C	+4°C	-20°C	+4°C	-20°C	+4°C	-20°C
Interior Cu. Ft.	14	14	17	17	20	20	30	30
Number of Shelves	2 fixed, 1 adj	3 fixed	3 fixed	3 fixed	3 fixed, 1 adj	4 fixed	5 adj	3 fixed, 2 adj
Refrigerant	R134a	R134a	R134a	R134a	R134a	R134a	R404a	R404a
Defrost Type	Manual	Manual	Manual	Manual	Manual	Manual	Manual	Manual
Compressor Size HP	1/3	1/3	1/3	1/3	1/3	1/3	1/3	1/3
Plug (receptacle)	5-15R	5-15R	5-15R	5-15R	5-15R	5-15R	5-15R	5-15R
Total Amp Draw	5	5	5	5	5	5	6	6
Voltage	115V, 1PH, 60Hz	115V, 1PH, 60Hz	115V, 1PH, 60Hz	115V, 1PH, 60Hz	115V, 1PH, 60Hz	115V, 1PH, 60Hz	115V, 1PH, 60Hz	115V, 1PH, 60Hz

Specifications subject to change without notice.

Receptacle Required
115V/1PH/ 60Hz
NEMA-5-15R



Scan to view on web



LABRepCo

One Company • Many Solutions

Revision Date: 1/20/2014