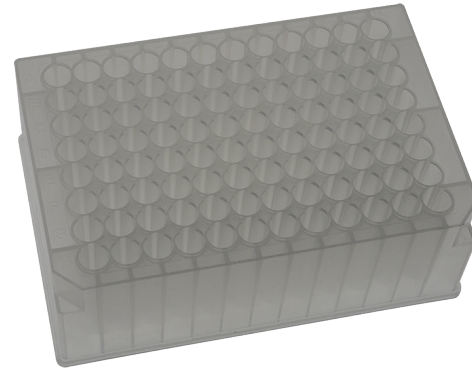




[i-labpro.com](http://i-labpro.com)



**GENERAL SPECIFICATIONS**

NUMBER OF WELLS:	96
WELL TOP SHAPE:	Round
WELL BOTTOM SHAPE:	Round - U
NOTCH LOCATION:	H1, H12
FOOTPRINT:	ANSI/SLAS 1-2004
MATERIAL:	Polypropylene
COLOR:	Natural
TEMPERATURE RANGE:	-80C to 120C
CENTIFUGATION (MAX.):	4,000 x g
AUTOCCLAVABLE:	121C at 15 psi, 15 min.
AUTOMATION COMPATIBLE:	Yes

**CRITICAL DIMENSIONS**

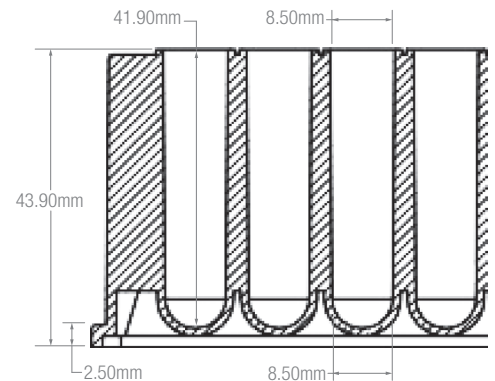
PLATE HEIGHT:	43.9mm
PLATE LENGTH (BOT):	127.78mm
PLATE WIDTH (BOT):	85.48mm
PLATE LENGTH (TOP):	123.6mm
PLATE WIDTH (TOP):	80.4mm
FLANGE HEIGHT:	2.5mm
WELL A1 (X,Y):	14.38mm, 11.24mm
WELL DEPTH:	41.9mm
WELL DIA. (TOP):	8.5mm
WELL DIA. (BOT):	7.4mm
WELL BOTTOM TO DECK:	1.3mm
OVERALL VOLUME:	1.7mL
WORKING VOLUME:	1.6mL
VOLUME WITH MAT:	1.5mL

**PACKAGING CONFIGURATIONS**

PACKAGING QUANTITY (CS):	50; 5 per Pack
CASE DIMENSIONS (IN.):	9.5 x 10.75 x 17.75
CASE WEIGHT (LBS.):	9.1
CASES PER PALLET:	64

**STORAGE**

Keep out of sunlight. Store in a cool dry place. Keep away from sources of ozone or ignition.



**COMMON APPLICATIONS**

HTS/Automation, Magnetic Bead Separations, Collection (SPE/SLE, Filtration, Phospholipid, Protein Crash, etc.), and Storage

**COMPATIBLE SEALING MAT OPTIONS**

ITEM NUMBER:	DESCRIPTION:
DPMATR-9-PRT	Silicone 96 well, 8.5mm dia Round Printed
DPMATR-9-BULK	Silicone 96 well, 8.5mm dia. Round
SLT-RD-9-PRT	Pre-slit Silicone 96, 8.5mm Round Printed

All plates can be sealed with adhesive or heat seal films.

**COMPARE TO OTHER PLATES**

SUPPLIER:	ITEM NO.:	VWR NO.:	FISHER NO.:
Axygen	P-DW-20-C	10011-942	14-222-353, 14-222-354
Phenomenex	AH0-8636		