



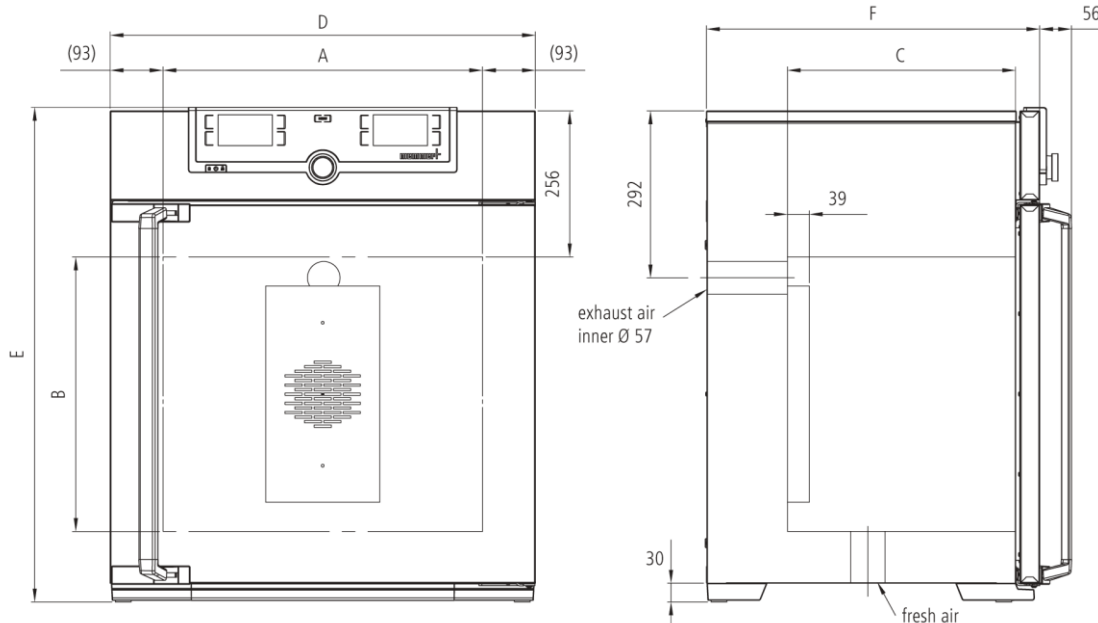
Incubator IF30plus

The incubator I is at home everywhere in the world of research, medicine, pharmaceuticals and food analytics, as well as food chemistry.



With the help of our model selection, with dimensioned model sketches and extensive technical data for download, you can find the right incubator for your needs. The flexibility and technical features of our appliances meet all possible needs. Put us to the test!

From 32 models, expandable with convenient, approved and tested accessories, you will easily find the incubator ideally suited to your needs. According to your individual application the two model variants cover all requirements of thermal safety, precision and quality assurance.



Control of standard components

Control	COCKPIT	adaptive multifunctional digital PID-microprocessor controller with 2 high-definition TFT-color displays
Temperature		2 Pt100 sensors Class A in 4-wire-circuit, mutually monitoring and taking over the performance at the same temperature value
Timer		Digital backwards counter with target time setting, adjustable from 1 minute to 99 days

Temperature

		min. 10°C above ambient up to +80°C
resolution of display for set point and actual temperature values		0.1°C

Control technology

adjustable parameters		temperature (Celsius or Fahrenheit), fan speed, air flap position, program time, time zones, daylight savings time
Sterilization		fixed sterilization program (4 hours/160°C) for sterilization of working chamber, not for sterilizing the load
Function Setpoint	WAIT	the process time does not start until the set temperature is reached
Language setting		German/English/Spanish/French
Calibration		three freely selectable temperature values

Ventilation

Fan		forced air circulation by quiet air turbine, adjustable in 10 % steps for each segment individually
Fresh air admixture		adjustment of pre-heated fresh air admixture by air flap control in 10 % steps for each segment individually
Vent		vent connection with restrictor flap

Communication

Documentation		program stored in case of power failure
----------------------	--	---

Safety

Alarm		audible and visual
Temperature control		overtemperature monitor TWW, protection class 3.1 or adjustable temperature limiter TWB, protection class 2, selectable on display
AutoSAFETY		additionally integrated over- and undertemperature monitor "ASF", automatically following the set point value at a preset tolerance range, alarm in case of over- or undertemperature, heating is switched off in case of overtemperature
Temperature control		mechanical temperature limiter TB, protection class 1 according to DIN 12880 to switch off the heating approx. 20°C above nominal temperature
Autodiagnostic system		for fault analysis

Standard equipment

Door	fully insulated stainless steel door with 2-point locking (compression door lock)
Door	inner glass door
Internals	1 stainless steel grid
Scope of delivery	incl. works calibration certificate for +37°C
Housing	rear zinc-plated steel
Interior	easy-to-clean interior, made of stainless steel, reinforced by deep drawn ribbing with integrated and protected large-area heating on four sides

Stainless steel interior

	$w_{(A)} \times h_{(B)} \times d_{(C)}$: 15.8" x 12.6" x 9.8"
	Volume 32 l
	Max. loading of chamber: 132 lbs

Textured stainless steel casing

	$w_{(D)} \times h_{(E)} \times d_{(F)}$: 23" x 27.7" x 17.1"
--	---

Electrical data

	230 V (+/- 10%), 50/60 Hz / approx. 7.0 amps
	115 V (+/- 10%), 50/60 Hz / approx. 6.9 amps

Packing/shipping data

the appliances must be transported upright

Customs tariff number	8419 8998
Country of origin	Federal Republic of Germany
WEEE-Reg.-No.	DE 66812464
	Dimensions approx. incl. carton B x H x T: 26" x 35" x 25.6"
	Net weight approx. 106 lbs
	Gross weight carton approx. 142 lbs

Standard units are safety-approved and bear the test marks

