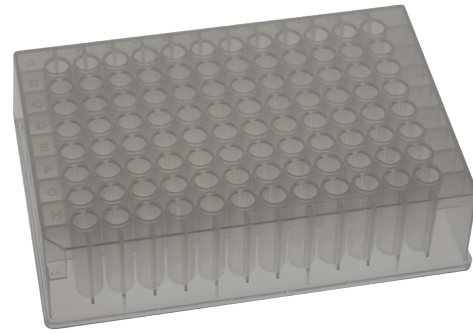




i-labpro.com



GENERAL SPECIFICATIONS

NUMBER OF WELLS:	96
WELL TOP SHAPE:	Round
WELL BOTTOM SHAPE:	Round - U
NOTCH LOCATION:	H1
FOOTPRINT:	ANSI/SLAS 1-2004
MATERIAL:	Polypropylene
COLOR:	Natural
TEMPERATURE RANGE:	-80C to 120C
CENTIFUGATION (MAX.):	4,000 RCF
AUTOCCLAVABLE:	121C at 15 psi, 15 min.
AUTOMATION COMPATIBLE:	Yes

CRITICAL DIMENSIONS

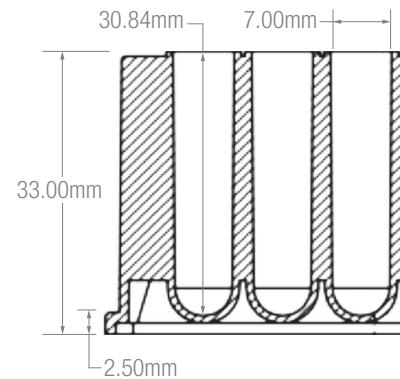
PLATE HEIGHT:	33.0mm
PLATE LENGTH (BOT):	127.78mm
PLATE WIDTH (BOT):	85.48mm
PLATE LENGTH (TOP):	124.53mm
PLATE WIDTH (TOP):	82.24mm
FLANGE HEIGHT:	2.5mm
WELL A1 (X,Y):	14.38mm, 11.24mm
WELL DEPTH:	30.84mm
WELL DIA. (TOP):	7.0mm
WELL DIA. (BOT):	4.12mm
WELL BOTTOM TO DECK:	1.3mm
OVERALL VOLUME:	1.22mL
WORKING VOLUME:	1.1mL
VOLUME WITH MAT:	1.0mL

PACKAGING CONFIGURATIONS

PACKAGING QUANTITY (CS):	50; 5 per Pack
CASE DIMENSIONS (IN.):	9.5 x 10.75 x 17.75
CASE WEIGHT (LBS.):	8.7
CASES PER PALLET:	64

STORAGE

Keep out of sunlight. Store in a cool dry place. Keep away from sources of ozone or ignition.



COMMON APPLICATIONS

Small Sample Size, HTS/Automation, Magnetic Bead Separations, Space Restricted areas (i.e., under Flow Hoods), Collection (SPE/SLE, Filtration, Phospholipid, Protein Crash, etc.), and Storage

COMPATIBLE SEALING MAT OPTIONS

ITEM NUMBER:	DESCRIPTION:
DPMATR-750-PRT	Silicone 96 well, 7.0mm dia Round Printed
SLT-RD-750-PRT	Pre-slit Silicone 96, 7.0mm Round Printed

All plates can be sealed with adhesive or heat seal films.

COMPARE TO OTHER PLATES

SUPPLIER:	ITEM NO.:	VWR NO.:	FISHER NO.:
Axygen	P-DW-11-C	10011-940	14-222-351, 14-222-352
Matrix	4211-11		50-823-829
Eppendorf	951031801	89085-642	E951031801
Biotix	DP-1200-9CU	89511-226	12-111-074
Agilent/Infinity Lab	5043-9305		

