

## 500mL Large Volume Centrifuge Tube

Item# 6338



### Description

These large volume centrifuge tubes are engineered to meet the demands of the most critical scientific work. The premium grade polypropylene (PP) tubes have molded graduation marks from 50mL to 450mL at 50mL increments.

### Features

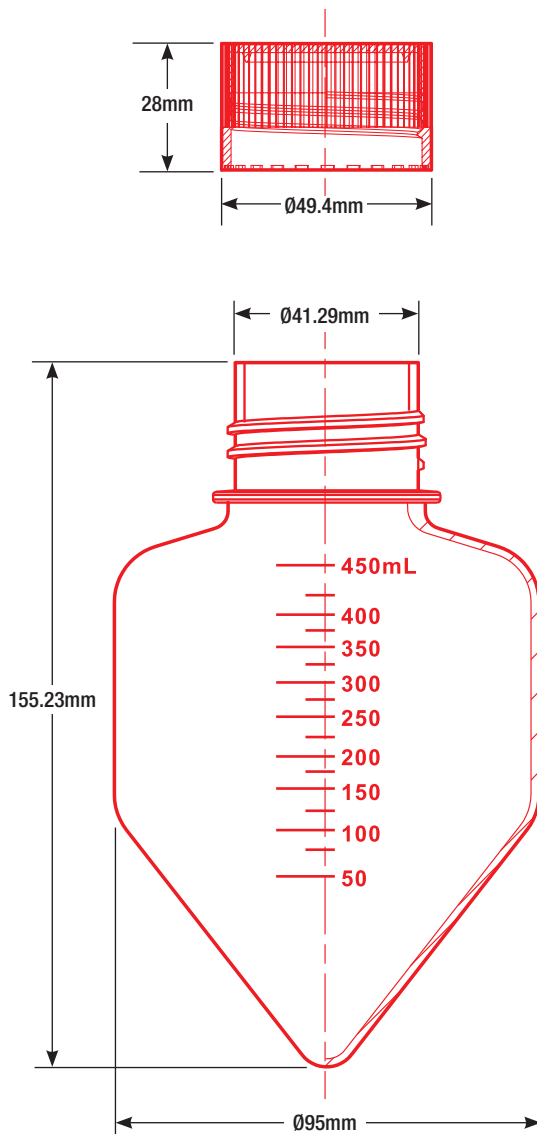
- Polypropylene (PP) tube with high density polyethylene (HDPE) flat screw cap
- Molded graduations to 450mL
- Max RCF up to 6,000 x g
- Leak-proof
- Autoclavable at 121° and freezable to -40°
- RNase/DNase free and non-pyrogenic
- Sterilized by gamma irradiation SAL10<sup>-6</sup> (ISO11137)
- Manufactured in a Class 100,000 cleanroom environment
- Manufactured under ISO13485:2016 and ISO 9001:2015 quality management systems
- Latex free

### Products

Item#	Description	Unit
6338	Centrifuge tube, 500mL, conical bottom, PP, attached white cap, STERILE, 6 tubes/bag, 6 bags/case	6

## 500mL Large Volume Centrifuge Tube

Item# 6338



### Technical Specifications

- Material: Tube: Polypropylene (PP)  
Complies with USP Class VI  
Color: Clear
- Cap: HDPE (High Density Polyethylene),  
Compliance with USP Class VI  
Color: White
- Autoclavable: Yes (without cap) 121°C
- Temperature Range: -40°C to +121°C
- Maximum G-force: 6,000 x g
- Sterility: Gamma sterile, SAL10<sup>-6</sup> (ISO11137)
- Graduations: Molded, from 50mL to 450mL at 50mL increments



#### Customer service, sales and technical support:

Phone 1 (800) 394-4562 • 1 (201) 599-1400

Fax 1 (201) 599-1406

E-mail [mail@globescientific.com](mailto:mail@globescientific.com)

#### Globe Scientific Inc.

400 Corporate Drive • Mahwah, NJ 07430

[www.globescientific.com](http://www.globescientific.com)