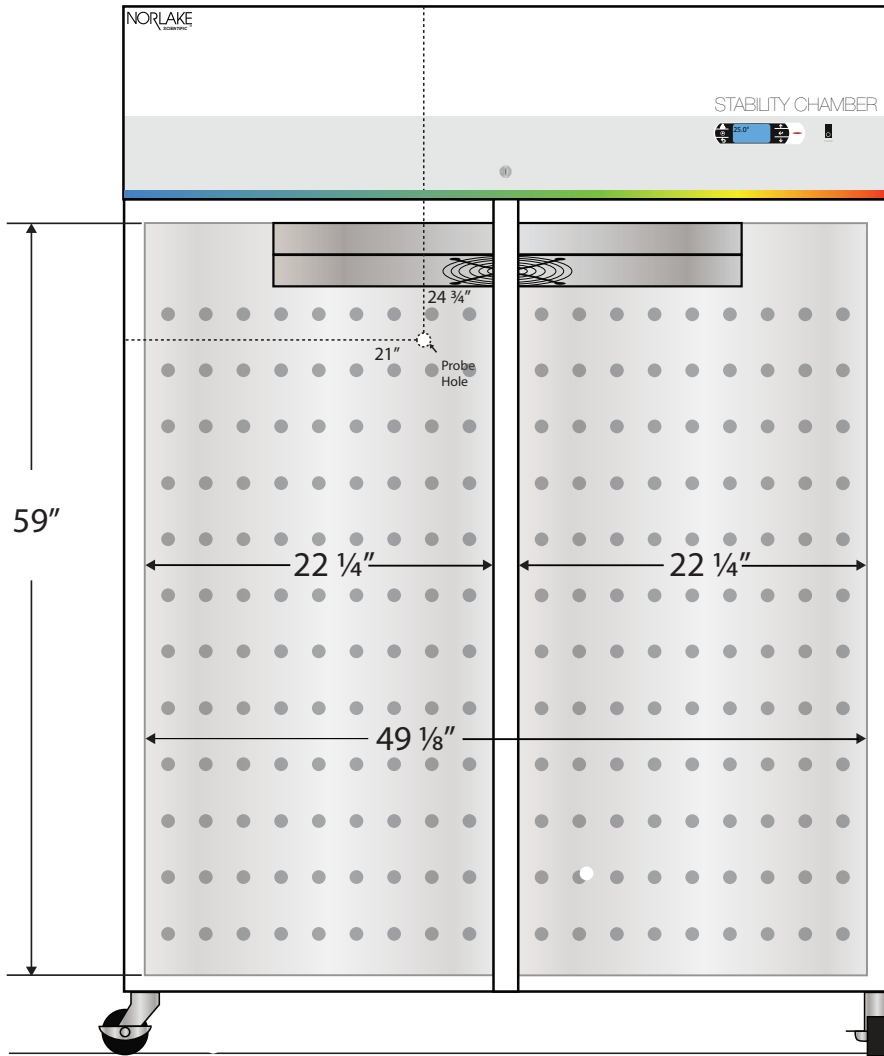
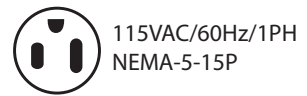
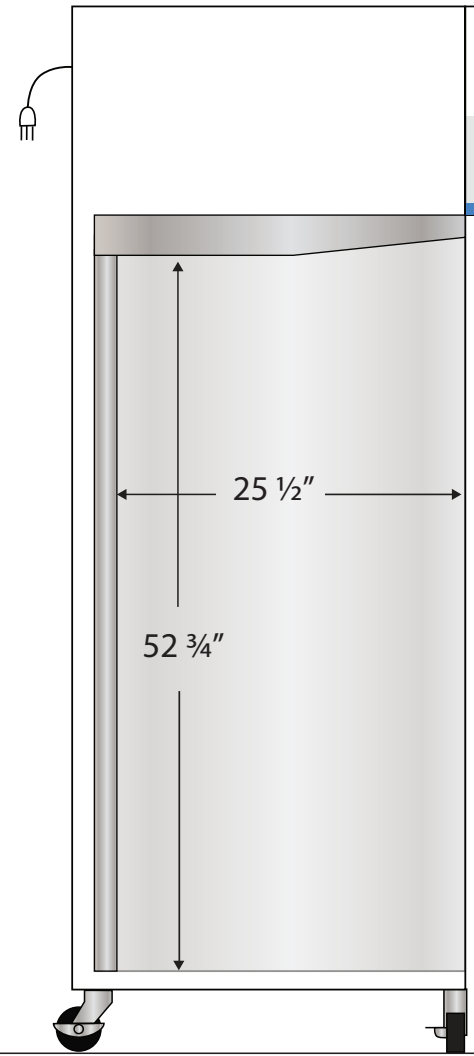


Front View



Side View



Cu. Ft	Door	Int Door	Shelves	Interior Dim.			Refrigerant	H.P.	Amps	Weight
				W"	D"	H"				
49	2 Glass	0	6 Adj. Sliding	49 1/8	25 1/2	59	R290	1/3	12.4	515 lbs.

Note: Interior dimensions are estimates and subject to change without notice