

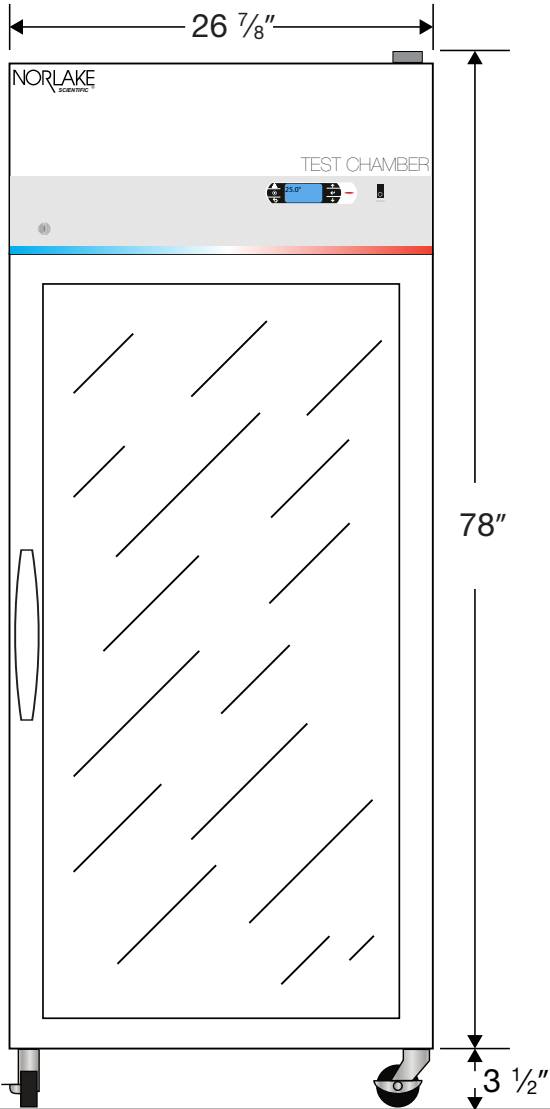
NORLAKE[®]

SCIENTIFIC[®]

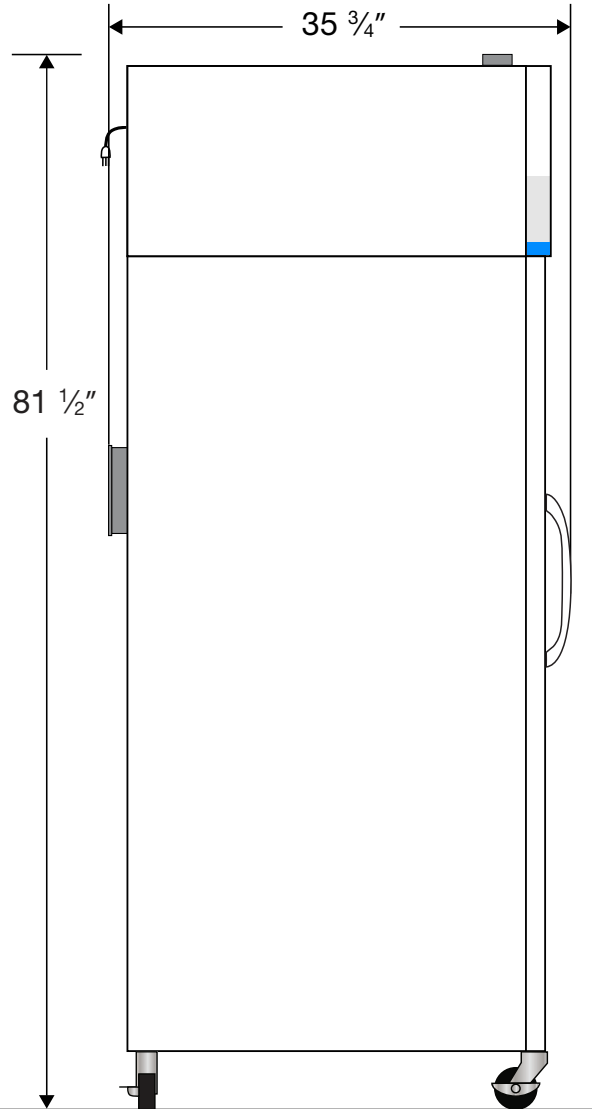
CUTSHEET

Exterior NSRI231WSG/0

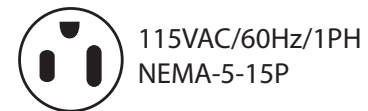
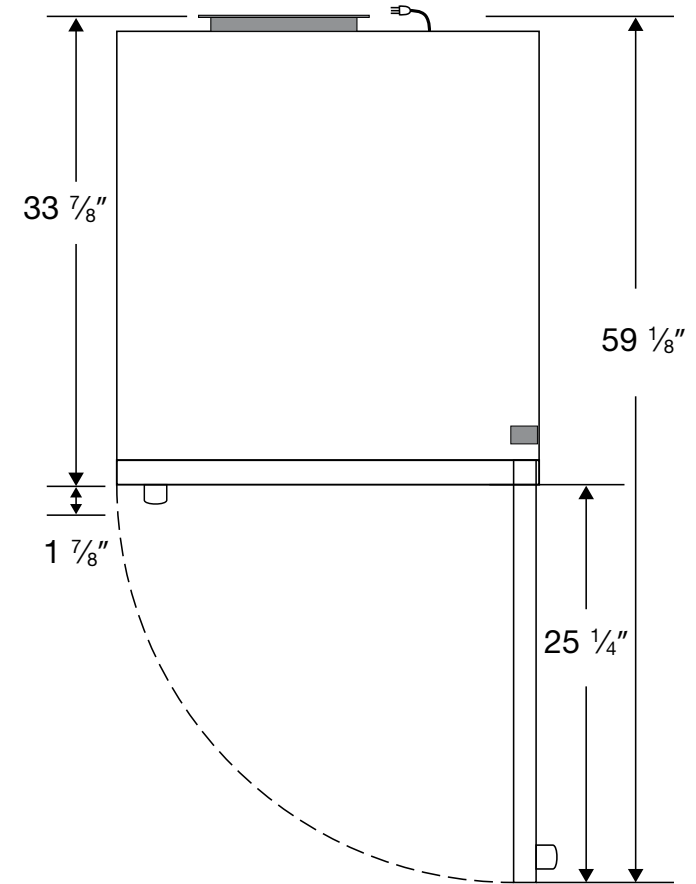
Front View



Side View



Top View



| Cu. Ft | Door | Int Door | Shelves | W" | D" | H" | Refrigerant | H.P. | Amps | Weight |
|--------|---------|----------|----------------|--------------------------------|--------------------------------|--------------------------------|-------------|-----------------------------|------|----------|
| 23 | 1 Glass | 0 | 3 Adj. Sliding | 26 ⁷ / ₈ | 35 ³ / ₄ | 81 ¹ / ₂ | R290 | ¹ / ₃ | 12 | 356 lbs. |