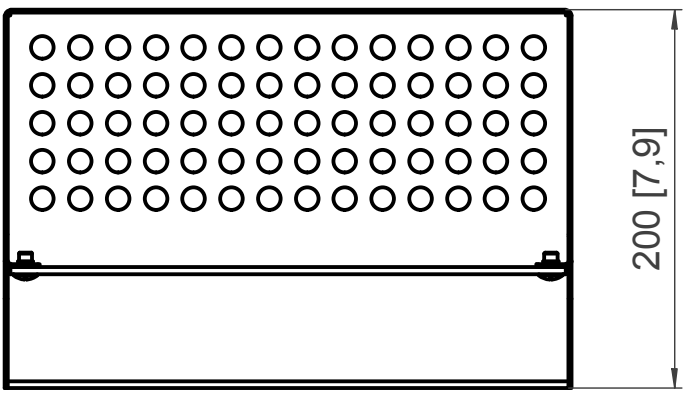
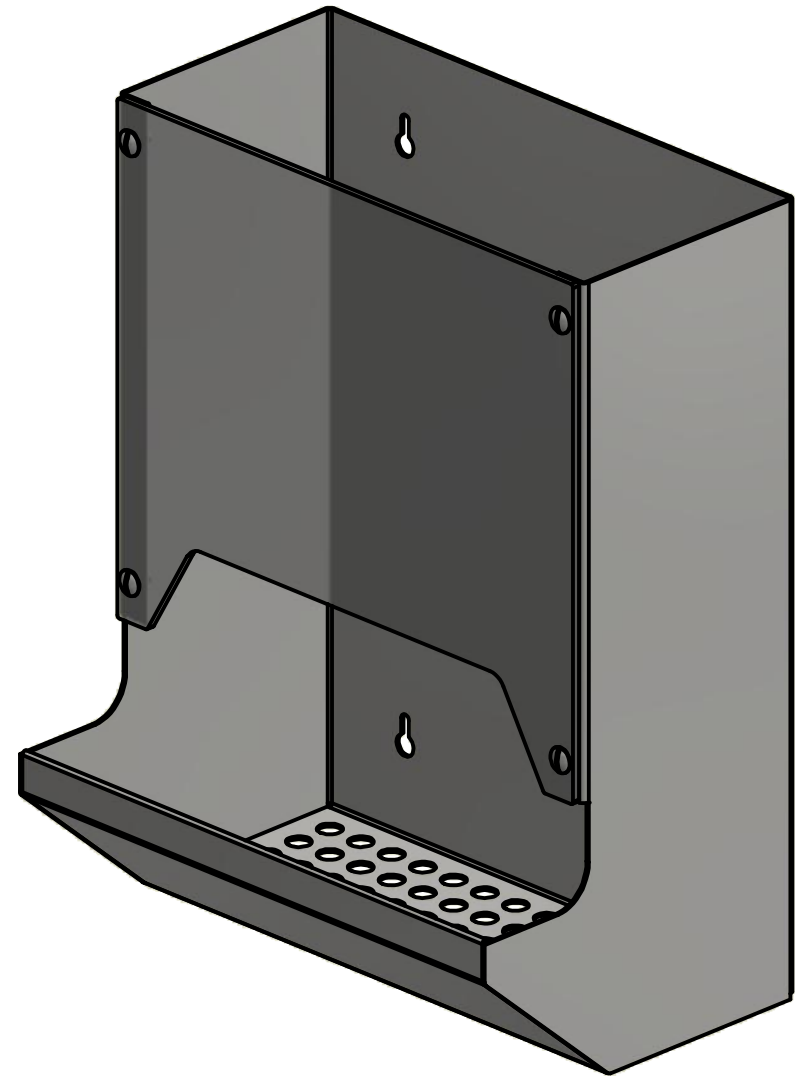
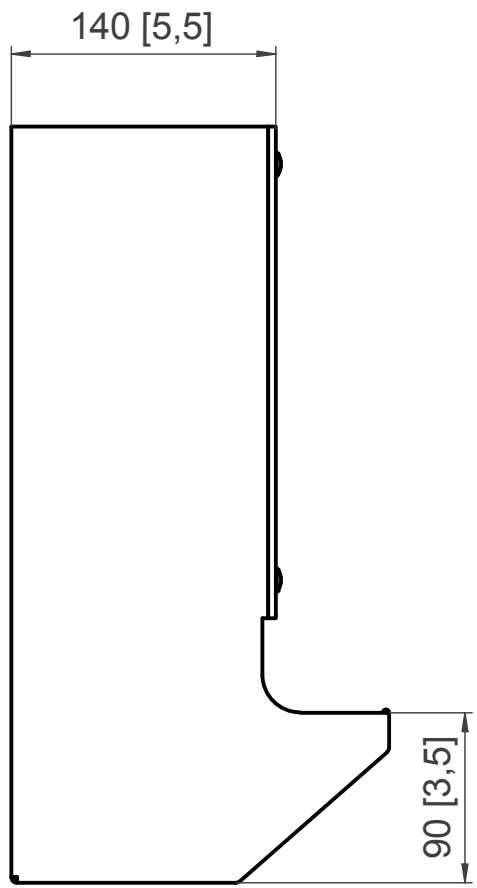
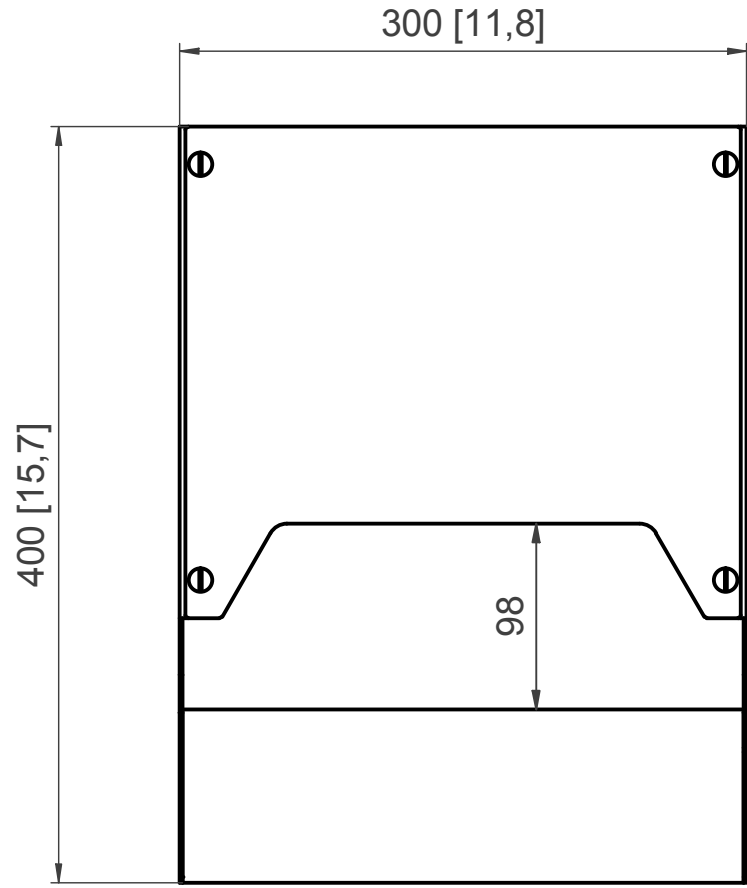


Fabrication materials: Stainless Steel 304L with electro-polished finish



Estimation total weight <b>4 kg</b>	VARIATION IN DIMENSIONS WITHOUT TOLERANCE IND. DIN 7168		<b>PalbamClass</b> EN HAROD IHUD	EUROPE PROJ 
	BREAK EDGES 0.3x45	STATUS MEDIUM		
ALL RIGHTS STRICTLY RESERVED USE, REPRODUCTION OR ISSUE TO THIRD PARTY IN ANY FORM WHATEVER IS NOT PERMITTED UNLESS AUTHORIZED IN WRITING BY THE PROPRIETOR PalbamClass IL-18960 EN-HAROD IHUD-ISRAEL.	INNER RADIUS	SURF. ROUGH. PER ISO 1302	<b>Eye Glass Dispenser</b>	
	DESG	DATE	NAME	SCALE <b>1:4</b>
	APPR			SIZE <b>A3</b>
				DWG. No. <b>PCGD0302-000</b>
SHEET <b>1 / 1</b>				

CONTROLLED COPIES OF THIS DOCUMENT HAVE A RED ISSUE DATE STAMP, THESE COPIES WILL BE UPDATED BY PALBAM CLASS INFORMATION SYSTEM. ANY OTHER COPY IS NOT CONTROLLED AND THEREFORE NOT UPDATED. PLEASE CHECK WITH INFORMATION SYSTEM FOR VALIDITY OF DOCUMENT.