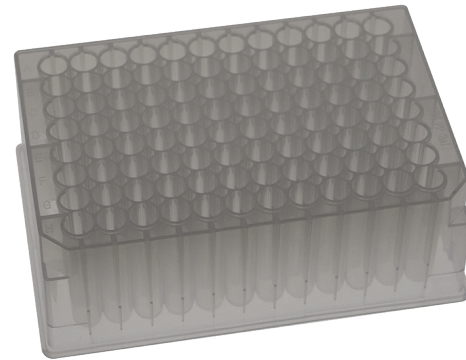




i-labpro.com



GENERAL SPECIFICATIONS

NUMBER OF WELLS:	96
WELL TOP SHAPE:	Round
WELL BOTTOM SHAPE:	Round - U
NOTCH LOCATION:	H1, H12
FOOTPRINT:	ANSI/SLAS 1-2004
MATERIAL:	Polypropylene
COLOR:	Natural
TEMPERATURE RANGE:	-80C to 120C
CENTIFUGATION (MAX.):	4,000 x g
AUTOCCLAVABLE:	121C at 15 psi, 15 min.
AUTOMATION COMPATIBLE:	Yes

CRITICAL DIMENSIONS

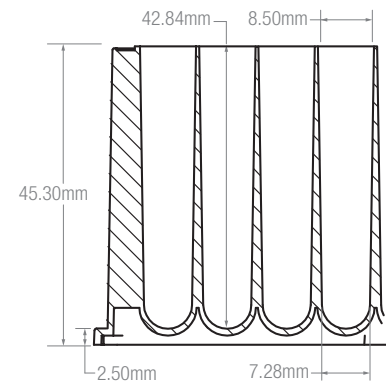
PLATE HEIGHT:	45.3mm
PLATE LENGTH (BOT):	127.78mm
PLATE WIDTH (BOT):	85.47mm
PLATE LENGTH (TOP):	121.64mm
PLATE WIDTH (TOP):	79.84mm
FLANGE HEIGHT:	2.5mm
WELL A1 (X,Y):	14.3mm, 11.24mm
WELL DEPTH:	42.85mm
WELL DIA. (TOP):	8.53mm
WELL DIA. (BOT):	7.2mm
WELL BOTTOM TO DECK:	2.5mm
OVERALL VOLUME:	2.1mL
WORKING VOLUME:	2.0mL
VOLUME WITH MAT:	1.9mL

PACKAGING CONFIGURATIONS

PACKAGING QUANTITY (CS):	50; 5 per Pack
CASE DIMENSIONS (IN.):	9.5 x 10.75 x 17.75
CASE WEIGHT (LBS.):	9.1
CASES PER PALLET:	64

STORAGE

Keep out of sunlight. Store in a cool dry place. Keep away from sources of ozone or ignition.



COMMON APPLICATIONS

Mixing, Large Sample Size, Storage, HTS/Automation, Collection (SPE/SLE, Filtration, Phospholipid, Protein Crash, etc.), and Chromatography

COMPATIBLE SEALING MAT OPTIONS

ITEM NUMBER:	DESCRIPTION:
DPMATR-9-PRT	Silicone 96 well, 8.5mm dia Round Printed
DPMATR-9-BULK	Silicone 96 well, 8.5mm dia. Round
SLT-RD-9-PRT	Pre-slit Silicone 96, 8.5mm Round Printed

All plates can be sealed with adhesive or heat seal films.

COMPARE TO OTHER PLATES

SUPPLIER:	ITEM NO.:	VWR NO.:	FISHER NO.:
Nunc	278752	73520-476	12-565-605