

FLOWLINX® FILLING NEEDLES



When a single drop of fluid can make the difference in someone’s health, you need smart fluid handling solutions that get the job done safely. Manufacturers worldwide rely on connector products that improve yield, cut costs and reduce time to market.

DESCRIPTION:

FlowLinX® filling needles are engineered with precision and purity ensuring operational safety and accurate dosing. Compatible with different brand filling machines, FlowLinX® filling needles are made from high grade materials and are validated to meet stringent regulatory requirements. Choose from standard designs or customize to your dosing equipment. Implement confidently and boost productivity without compromising on quality.

SPECIFICATIONS:

- Manufactured in an ISO 8 Cleanroom
- ISO 9001:2015 Certified Facility
- Available Non-sterile or Sterile
- Packaged 10 per Box
- Sterilizable by Gamma Irradiation

NEEDLE BRANDS:

- Bosch
- Groninger
- IMA
- OPTIMA Inova
- Cytiva



REGULATORY OVERVIEW:

Material of Construction

316L Stainless Steel and Polycarbonate

Biocompatibility

USP <85>, Bacterial Endotoxin

USP <88>, Biological Reactivity Tests, Class VI, In Vivo

USP <87>, Biological Reactivity Tests, Class VI, In Vitro

Physiochemical

USP <661>, Plastic Packaging Systems

Particulate

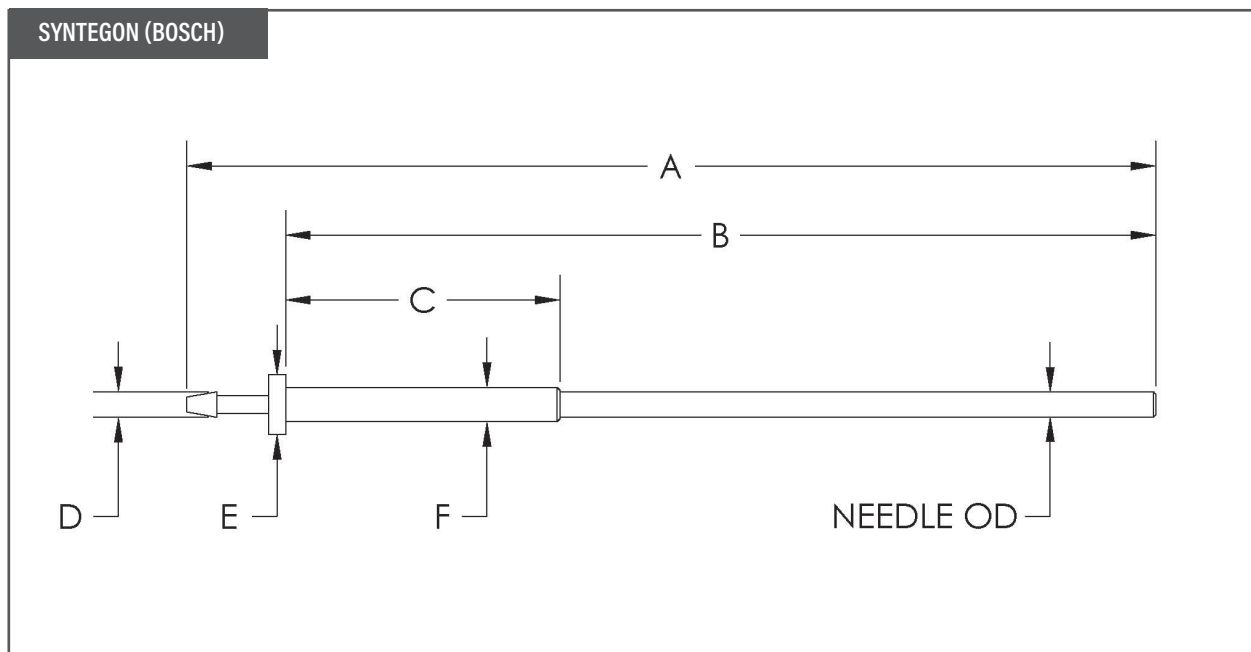
USP <788>, Particulate Matter in Injections

Shelf Life

5 Years, Non-Sterile/Non-Irradiated



FILLING NEEDLES



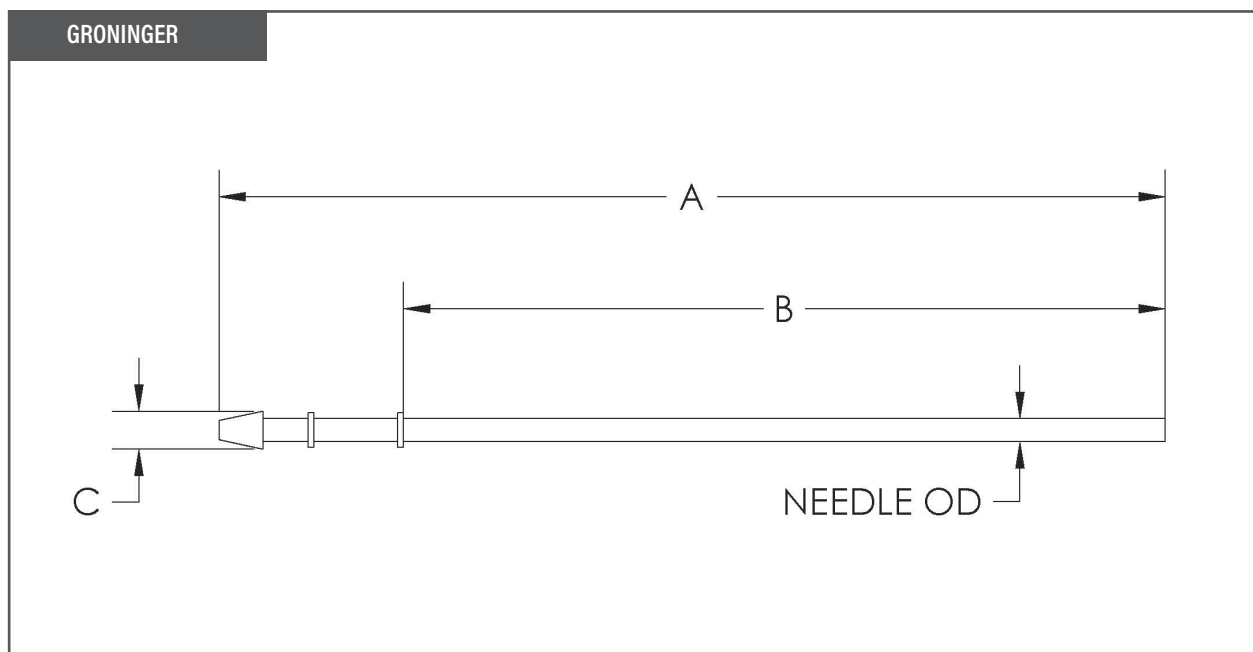
SYNTEGON (BOSCH) NEEDLE DIMENSIONS

Thomas No.	Mfr. No.	Needle ID MM [IN.]	Needle OD MM [IN.]	A	B	C	D	E	F
24A00G527	F-FN-BSM-1.6-125	1.6 [0.063 ± 0.002]"	2.1 [0.083 ± 0.001]"	181.6 [7.150]"	161.3 [6.350]"	50.8 [2.00]"	H.B. FOR 3/32 I.D.	9.52 [0.3750]"	50.8 [2.00]"
24A00G528	F-FN-BSM-2.1-125	2.1 [0.085 ± 0.002]"	2.8 [0.109 ± 0.001]"				H.B. FOR 1/8 I.D.	9.52 [0.3750]"	
24A00G529	F-FN-BSM-3.0-125	3.0 [0.118 ± 0.003]"	3.8 [0.148 ± 0.001]"				H.B. FOR 1/8 I.D.	9.52 [0.3750]"	
24A00G530	F-FN-BSM-3.2-125	3.2 [0.128 ± 0.002]"	3.8 [0.148 ± 0.001]"				H.B. FOR 3/16 I.D.	9.52 [0.3750]"	
24A00G531	F-FN-BSM-4.0-281	4.0 [0.160 ± 0.002]"	4.6 [0.180 ± 0.001]"				H.B. FOR 3/16 I.D.	11.00 [0.4370]"	

TOLERANCES UNLESS OTHERWISE STATED:

- X.X ± 0.020"
- X.XX ± 0.010"
- X.XXX ± 0.005"

FILLING NEEDLES



GRONINGER NEEDLE DIMENSIONS

Thomas No.	Mfr. No.	Needle ID MM [IN.]	Needle OD MM [IN.]	A	B MM [IN.]	C
24A00G536	F-FN-GRO-1.6-063	1.6 [0.063 ± 0.002]	2.1 [0.083 ± 0.001]	165.0 [6.496]	133.0 [5.200]	H.B. FOR 3/32 I.D.
24A00G537	F-FN-GRO-2.1-125	2.1 [0.085 ± 0.002]	2.8 [0.109 ± 0.001]			H.B. FOR 1/8 I.D.
24A00G538	F-FN-GRO-3.0-125	3.0 [0.118 ± 0.003]	3.7 [0.148 ± 0.001]			H.B. FOR 5/32 I.D.
24A00G539	F-FN-GRO-3.2-125	3.2 [0.128 ± 0.002]	3.8 [0.148 ± 0.001]			H.B. FOR 5/32 I.D.
24A00G540	F-FN-GRO-4.0-281	4.0 [0.160 ± 0.002]	4.6 [0.180 ± 0.001]			H.B. FOR 1/4 I.D.
24A00G541	F-FN-GRO-5.0-250	5.0 [0.197 +0.004, -0.002]	6.0 [0.237 +0.003, -0.001]			H.B. FOR 1/4 I.D.

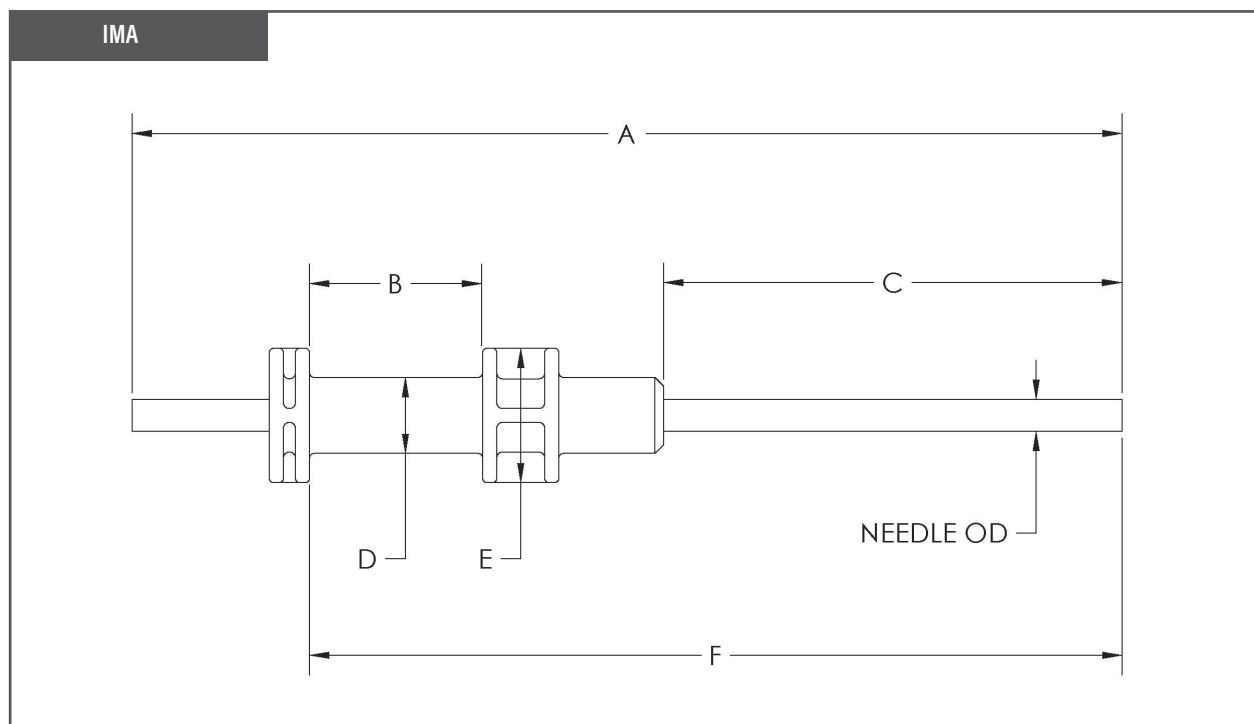
TOLERANCES UNLESS OTHERWISE STATED:

X.X ± 0.020"

X.XX ± 0.010"

X.XXX ± 0.005"

FILLING NEEDLES



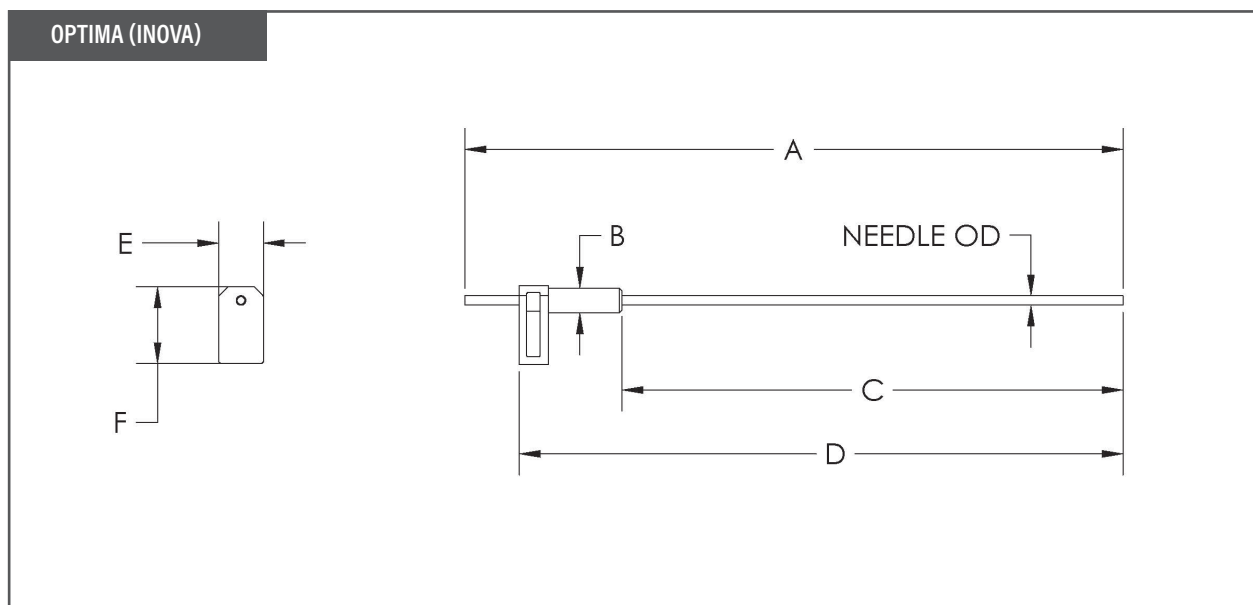
IMA NEEDLE DIMENSIONS

Thomas No.	Mfr. No.	Needle ID MM [IN.]	Needle OD MM [IN.]	A	B	C	D MM [IN.]	E	F
24A00G532	F-FN-IMA-0.8-1.1	0.8 [0.032 +0.0015, -0.005]	1.1 [0.042 ± 0.0005]	115.8 [4.56]	20.1 [0.793]	53.6 [2.11]	8.9 [0.351]	15.7 [0.62]	95.0 [3.74]
24A00G533	F-FN-IMA-1.6-2.1	1.6 [0.063 ± 0.002]	2.1 [0.083 ± 0.001]						
24A00G534	F-FN-IMA-2.1-2.8	2.1 [0.085 ± 0.002]	2.8 [0.109 ± 0.001]						
24A00G535	F-FN-IMA-3.2-3.8	3.2 [0.128 ± 0.002]	3.8 [0.148 ± 0.001]						

TOLERANCES UNLESS OTHERWISE STATED:

- X.X ± 0.020"
- X.XX ± 0.010"
- X.XXX ± 0.005"

FILLING NEEDLES



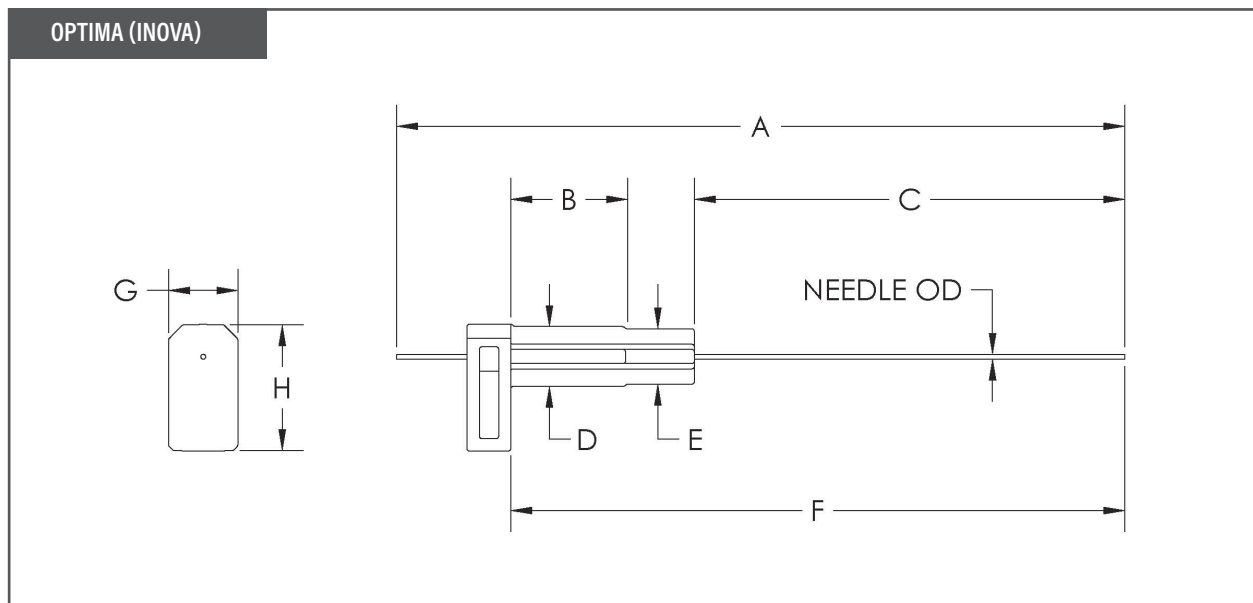
OPTIMA (INOVA) NEEDLE (SMALL HUB) DIMENSIONS

Thomas No.	Mfr. No.	Needle ID MM [IN.]	Needle OD MM [IN.]	A	B	C	D	E	F
				MM [IN.]					
24A00G519	F-FN-OPS-0.8-1.1	0.8 [0.032 +0.0015, -0.005]	1.1 [0.042 ± 0.0005]						
24A00G520	F-FN-OPS-1.6-2.1	1.6 [0.063 ± 0.002]	2.1 [0.083 ± 0.001]	139.2 [5.480]	8.0 [0.314]	87.9 [3.460]	121.4 [4.780]	15.0 [0.591]	25.2 [1.000]
24A00G521	F-FN-OPS-2.1-2.8	2.1 [0.085 ± 0.002]	2.8 [0.109 ± 0.001]						

TOLERANCES UNLESS OTHERWISE STATED:

- X.X ± 0.020"
- X.XX ± 0.010"
- X.XXX ± 0.005"

FILLING NEEDLES



OPTIMA (INOVA) NEEDLE (LARGE HUB) DIMENSIONS

Thomas No.	Mfr. No.	Needle ID MM [IN.]	Needle OD MM [IN.]	A	B	C	D MM [IN.]	E	F	G	H
24A00G522	F-FN-OPL-0.8-1.1	0.8 [0.032 +0.0015, -0.005]	1.1 [0.042 ± 0.0005]								
24A00G523	F-FN-OPL-1.6-2.1	1.6 [0.063 ± 0.002]	2.1 [0.083 ± 0.001]								
24A00G524	F-FN-OPL-3.2-3.8	3.2 [0.128 ± 0.002]	3.8 [0.148 ± 0.001]	157.7 [6.208]"	25.0 [0.984]"	90.2 [3.551]"	13.0 [0.511 -0.002]	12.0 [0.472]	130.0 [5.118]	15.0 [0.590]	27.5 [1.082]
24A00G525	F-FN-OPL-4.0-4.6	4.0 [0.160 ± 0.002]	4.6 [0.180 ± 0.001]								
24A00G526	F-FN-OPL-5.0-6.0	5.0 [0.197 +0.004, -0.002]	6.0 [0.237 +0.003, -0.001]								

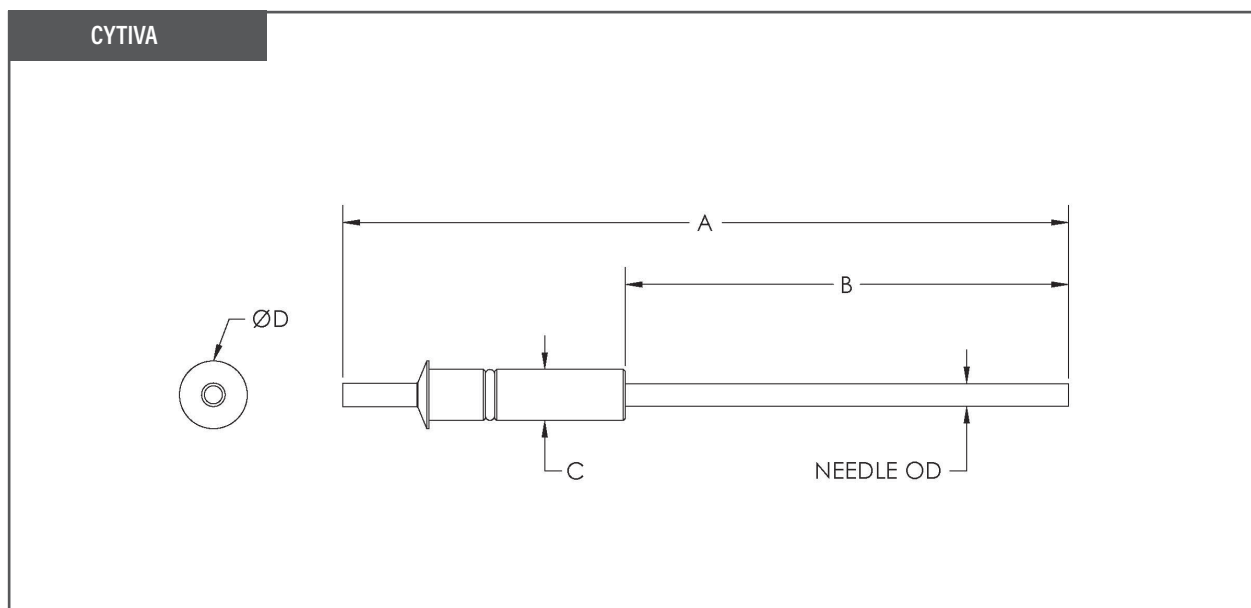
TOLERANCES UNLESS OTHERWISE STATED:

X.X ± 0.020"

X.XX ± 0.010"

X.XXX ± 0.005"

FILLING NEEDLES



CYTIVA NEEDLE DIMENSIONS

Thomas No.	Mfr. No.	Needle ID MM [IN.]	Needle OD MM [IN.]	A	B MM [IN.]	C	D
24A00G542	F-FN-PAL-0.8-1.1	0.8 [0.032 +0.0015, -0.005]	1.1 [0.042 ± 0.0005]	120 [4.720]	75 [2.952]	8.6 [0.340]	12 [0.472]
24A00G543	F-FN-PAL-1.2-1.5	1.2 [0.047 ± 0.001]	1.5 [0.058 ± 0.0005]				
24A00G544	F-FN-PAL-1.6-2.1	1.6 [0.063 ± 0.002]	2.1 [0.083 ± 0.001]				
24A00G545	-FN-PAL-2.4-3.1	2.4 [0.094 ± 0.002]	3.1 [0.120 ± 0.001]				
24A00G546	F-FN-PAL-3.2-3.8	3.2 [0.128 ± 0.002]	3.8 [0.148 ± 0.001]				
24A00G547	F-FN-PAL-4.0-4.6	4.0 [0.160 ± 0.002]	4.6 [0.180 ± 0.001]				
24A00G548	F-FN-PAL-5.0-6.0	5.0 [0.197 +0.004, -0.002]	6.0 [0.237 +0.003, -0.001]			10.9 [0.430]	14 [0.55]

TOLERANCES UNLESS OTHERWISE STATED:

X.X ± 0.020"

X.XX ± 0.010"

X.XXX ± 0.005"

FLOWLINX