

Caframo® LabSolutions

250 Petite Digital

The ultimate in compact design, the Petite Digital fits into small spaces and transports easily between labs or classrooms. Use in education labs, formulation, R&D, clinical research, and anywhere a magnetic stirrer is used and more.

Built in Canada with superior quality components, including a brushless DC motor, digital display and intuitive keypad guarantees a long, maintenance free life.

The Petite Digital comes complete including a stand, integral clamp, power cord, and both radial and axial impellers. The power offered by this small, full featured overhead stirrer surpasses anything you have ever seen in a stirrer this size.

Key Specifications:

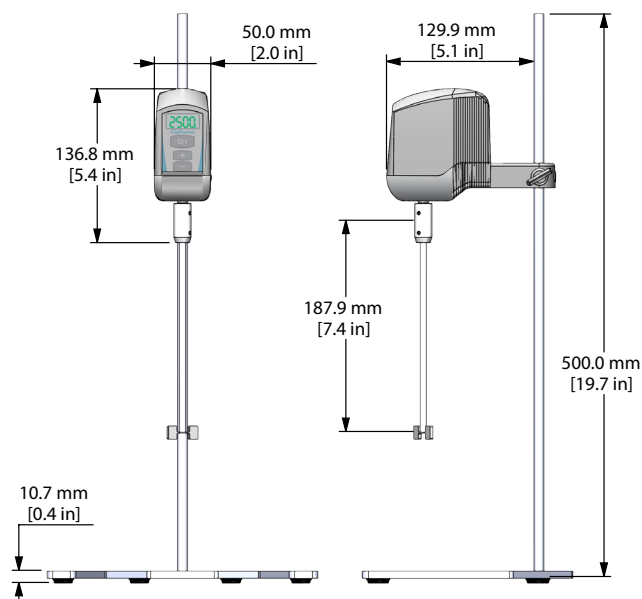
Speed Range	• 50-2500 rpm
Max Torque	• 10 Ncm
Max Viscosity	• Water-like
Output Power	• 7 watts, 1/50 hp
Max Volume	• 2 litres

The Perfect Package

Ultra-Compact
Powerful



250 Petite Digital



Features and Benefits:

Ultra-Compact Footprint

- Fits in very small workspaces
- Weighs less than 0.5 kg
- Portable

Complete Package

- Axial and radial impellers and stand included
- Secure support from integral clamp
- Stainless steel collet with 6 mm opening

Quality First

- Molded nylon housing
- Brushless DC motor
- Stainless steel impellers

Applications:

- Academic classroom labs
- Mining hydrometallurgy
- Small volume raw material QC
- Heat transfer in water baths
- Solids suspension and slurries

Additional Specifications:

Input Power	100-240 volts; 50/60 Hz
Motor	Brushless DC
Weight	1.94 kg (total package) 0.46 kg (stirrer only)
Display	Digital display, keypad
Mounting	Integral clamp fits rods up to 16 mm dia
Impeller Attachment	Collet, stainless steel, accepts 6 mm dia shafts
Includes	Stirrer, stand, integral clamp, power cord, axial and radial impeller
Approvals	Tested to UL61010 standards See manual for details
Warranty	Three Years

The ultimate in compact design!



Hydrometallurgy solvent extraction

Caframo[®]
LabSolutions

1-800-567-3556 ext 248

CaframoLabSolutions.com

501273 Grey Road 1, Georgian Bluffs ON N0H 2T0 Canada

3/23 Rev02