



The powerhouse. Robust and powerful.

Elmasonic xtra ST





Elmasonic xtra ST

Resilient, robust and with two ultrasonic frequencies for one goal – removing the most stubborn dirt.

Perfect cleaning results.

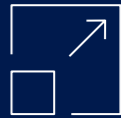
Elmasonic xtra ST is an ultrasonic device that can remove even the most severe contamination and is therefore ideal for extreme dirt loads in the field of industrial cleaning. With the two selectable ultrasonic frequencies, a diverse range of cleaning tasks can be successfully completed. For stubborn dirt, such as the removal of lapping and polishing pastes, 25 kHz is

selected. At 45 kHz, sensitive surface materials can be gently cleaned and degreased. Different modes, such as Pulse, Sweep and Dynamic, offer more individual options to achieve a perfect cleaning result. The oscillating tanks are made of stainless steel with increased wall thickness and boast a high degree of robustness and durability.



Highlight

MAXIMUM BENEFITS



Developed for

- Industrial companies and laboratories
- Repair shops
- Metalworking companies
- Industrial component manufacturers
- Watchmakers and jewellers
- Watch and jewellery studios



Cleans

- Industrial components
- Parts
- Carburetors and filters
- Watch components like straps and cases



Removes

- Resins
- Adhesive residues
- Oil and grease
- Abrasive and polishing pastes
- Chips
- Flux



Achtung
 Achtung
 Attention
 Attention
 Attention



Elmasonic xtra ST

Extreme demands. Optimal cleaning results. Always user-friendly.

Elmasonic xtra ST, designed for the highest demands, also impresses with its ease of use. All functions and cleaning parameters – ultrasonic frequency, time and heating presets – can be intuitively configured via the splash-proof control panel on the front. The panel also ensures easy monitoring of the cleaning process.

Functions

Sweep function

The preset Sweep function is used for optimum sound field distribution and cleaning performance in all areas of the ultrasonic bath.

Pulse function

The switchable Pulse function increases the peak ultrasonic power. This removes very stubborn dirt.

Dynamic function

With the Dynamic function, the Sweep and Pulse functions alternate automatically. The ultrasonic power is temporarily increased by up to 20%. At the same time, the cleaning effect is enhanced due to the uniform ultrasound distribution in the ultrasonic bath.

Highlights

Individually switchable ultrasonic modes

Switchable multi-frequency device with 25 kHz for the toughest dirt and 45 kHz for gentle cleaning

Durable oscillating tanks made of high-quality stainless steel with increased wall strength



Elmasonic xtra ST

A powerhouse. Eight different sizes. Various application options.

Extra powerful.

Elmasonic xtra ST ultrasonic cleaning devices are designed for extreme dirt loads in production facilities, workshops and service centres. With eight different sizes, this series offers a wide range of devices for the most diverse cleaning tasks. Thanks to the special peripherals and accessories, the Elmasonic becomes

a real powerhouse. This creates new possibilities in terms of mapping the entire process in a highly productive way – from pre-cleaning and the cleaning itself to rinsing, drying or cooling. A wide range of accessories (baskets or noise protection covers) offers practical expansion options.

Technical data

Mechanical

Elmasonic xtra ST	300H	500H	600H	800H
Total capacity V (l)	28.8	48.7	56.3	81.0
Unit external dimensions W / D / H (mm)	655 / 555 / 935	655 / 555 / 935	825 / 595 / 935	825 / 595 / 935
Tank internal dimensions W / D / H (mm)	290 / 265 / 280	290 / 265 / 480	460 / 295 / 330	460 / 295 / 480
Opening dimensions W / D (mm)	330 / 300	330 / 300	500 / 330	500 / 330

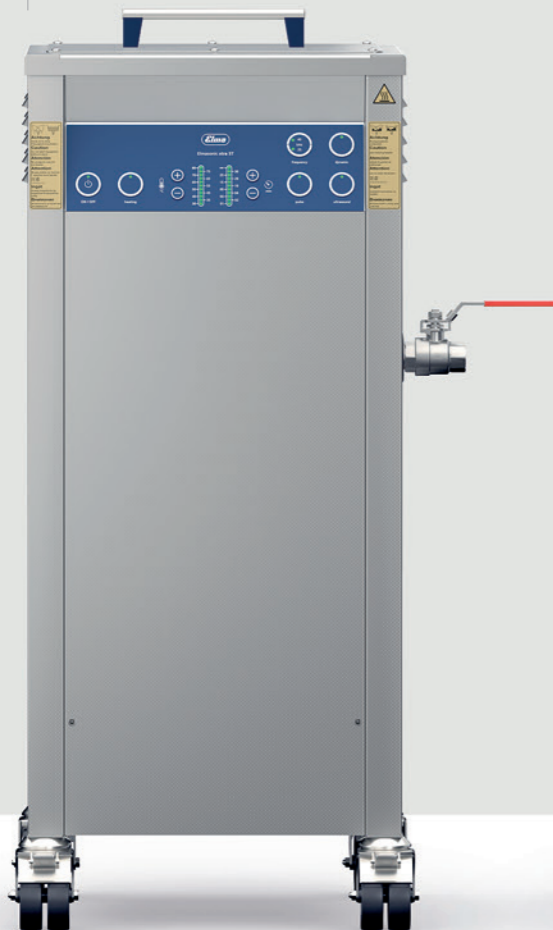
Elmasonic xtra ST	1400H	1600H	1900S	2500H
Total capacity V (l)	120.3	156.3	186.7	245.1
Unit external dimensions W / D / H (mm)	935 / 865 / 935	935 / 865 / 935	750 / 965 / 960	1080 / 915 / 935
Tank internal dimensions W / D / H (mm)	550 / 565 / 315	550 / 565 / 415	410 / 600 / 680	615 / 700 / 485
Opening dimensions W / D (mm)	600 / 600	600 / 600	410 / 650	750 / 650

Electrical

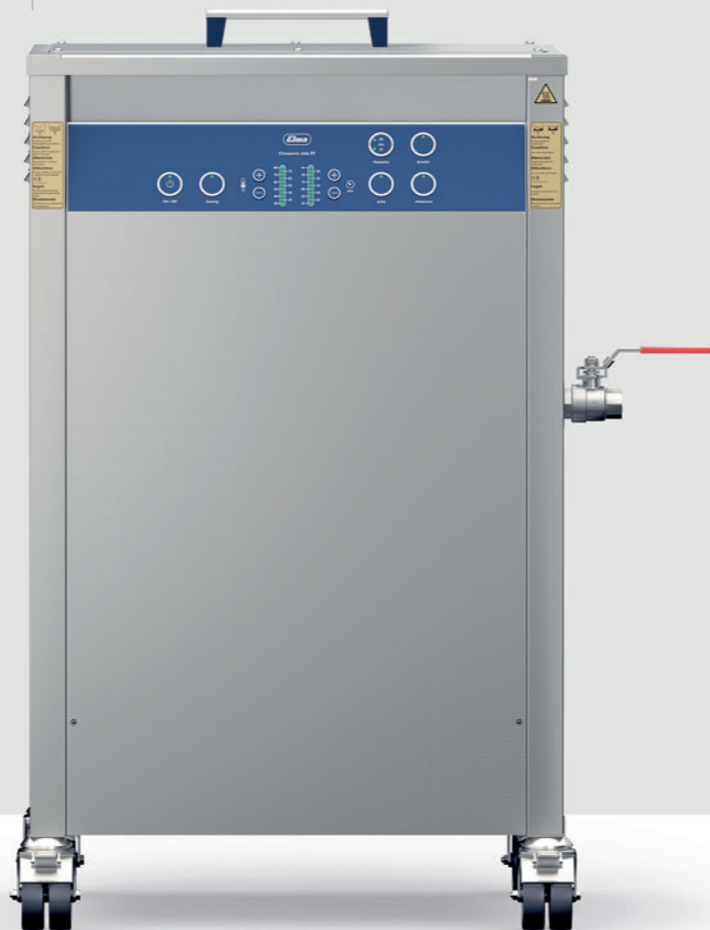
Elmasonic xtra ST	300H	500H	600H	800H	1400H	1600H	1900S	2500H
Eff. ultrasonic power ± 10% (W)	480	540 / 600	800 / 900	900 / 1000	1440	1600 / 1800	1000	1800 / 2000
Heating power (W)	1400	1400	1400 / 2800	4200	5000	7500	2300	7500

Product family

Elmasonic xtra ST 300H
Total capacity (V): 28.8 litres
Ultrasonic power (W): 480



Elmasonic xtra ST 600H
Total capacity (V): 56.3 litres
Ultrasonic power (W): 800 / 900



Elmasonic xtra ST 2500H
Total capacity (V): 245.1 litres
Ultrasonic power (W): 1800 / 2000



FOR THE BEST
CLEANING



Elmasonic xtra ST Accessories

Always holistic and system-oriented. Elma is redefining ultrasonic cleaning.

The peripherals and accessories for the Elmasonic xtra ST take the entire cleaning process to a new level. They not only increase productivity in the cleaning process – their consistent use also significantly reduces operating costs, increases user-friendliness and protects the environment.

Highlights

Elma Move: optimal cleaning results via oscillation M

Elma Table and Elma Rinse: ideal for pre-cleaning, rinsing, draining and drying T
R

Elma Filter: increased service life of the cleaning bath and more efficient cleaning thanks to dust particle filtering F

Elmasteam: perfect for pre-cleaning the most stubborn dirt and for drying S

Retrofit: retrofittable for existing Elmasonic xtra ST devices

ST Peripherals

Extras for even greater performance.



Applications



PRE-CLEANING

Removal of coarse contamination before thorough cleaning takes place.



CLEANING

Removal of even the most stubborn dirt using Elma ultrasonic technology.*



incl. Elma cleaning chemicals



RINSING

Removal of any remaining residues once the items have been cleaned.



DRYING

The cleaned items are allowed to drain off or cool and dry in the final step.





Elmasonic xtra ST Accessories

Oscillation makes it possible to utilise the full power of ultrasound for optimum cleaning results.

Always on top form.

With Elma Move, the cleaning basket moves vertically through the ultrasonic bath at a rate of nine strokes per minute. In ultrasonic baths, alternating areas of uneven ultrasonic exposure are formed due to the underlying physics. If the items to be cleaned are moved cyclically through these zones with Elma Move, a maximum homogeneous cleaning effect is achieved.

The basket can be loaded with up to 35 kg of items to be cleaned. Elma Move is available in different sizes for all units from the Elmasonic xtra ST 300H to the Elmasonic xtra ST 2500H*. Existing Elmasonic xtra ST devices can be easily retrofitted.

**) except the Elmasonic xtra ST 1900S*

Highlights

Freely positionable, user-friendly control panel

Automatic oscillation in the cleaning tanks

Optional attachment frame for noise protection covers

Applications



PRE-CLEANING

Removal of coarse contamination before thorough cleaning takes place.



CLEANING

Removal of even the most stubborn dirt using Elma ultrasonic technology.*



incl. Elma cleaning chemicals



RINSING

Removal of any remaining residues once the items have been cleaned.

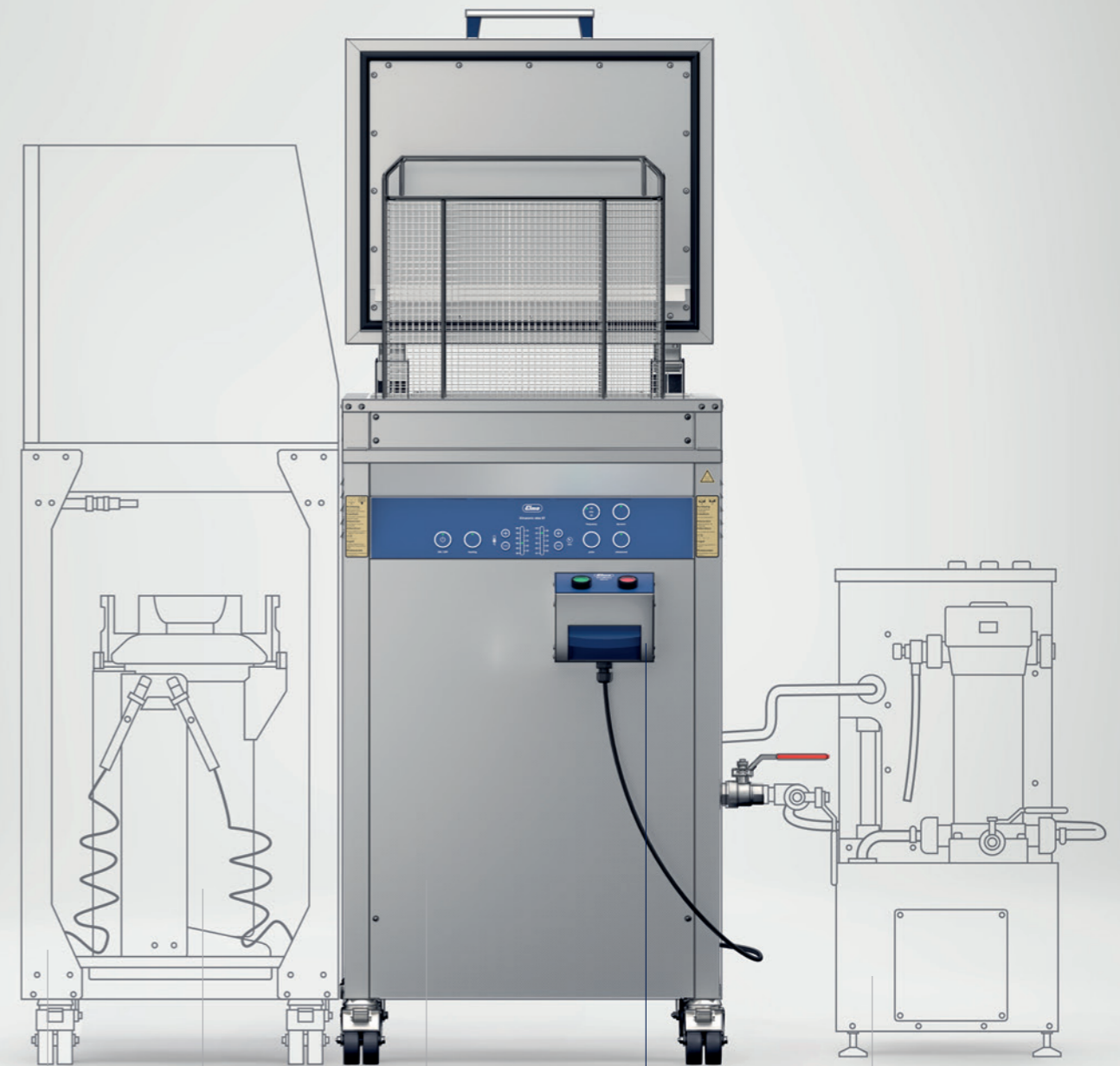


DRYING

The cleaned items are allowed to drain off or cool and dry in the final step.

Elma Move

Expansions for custom requirements.



Elmasonic xtra ST

Elma Rinse
Rinsing the items to be cleaned before the cleaning process.

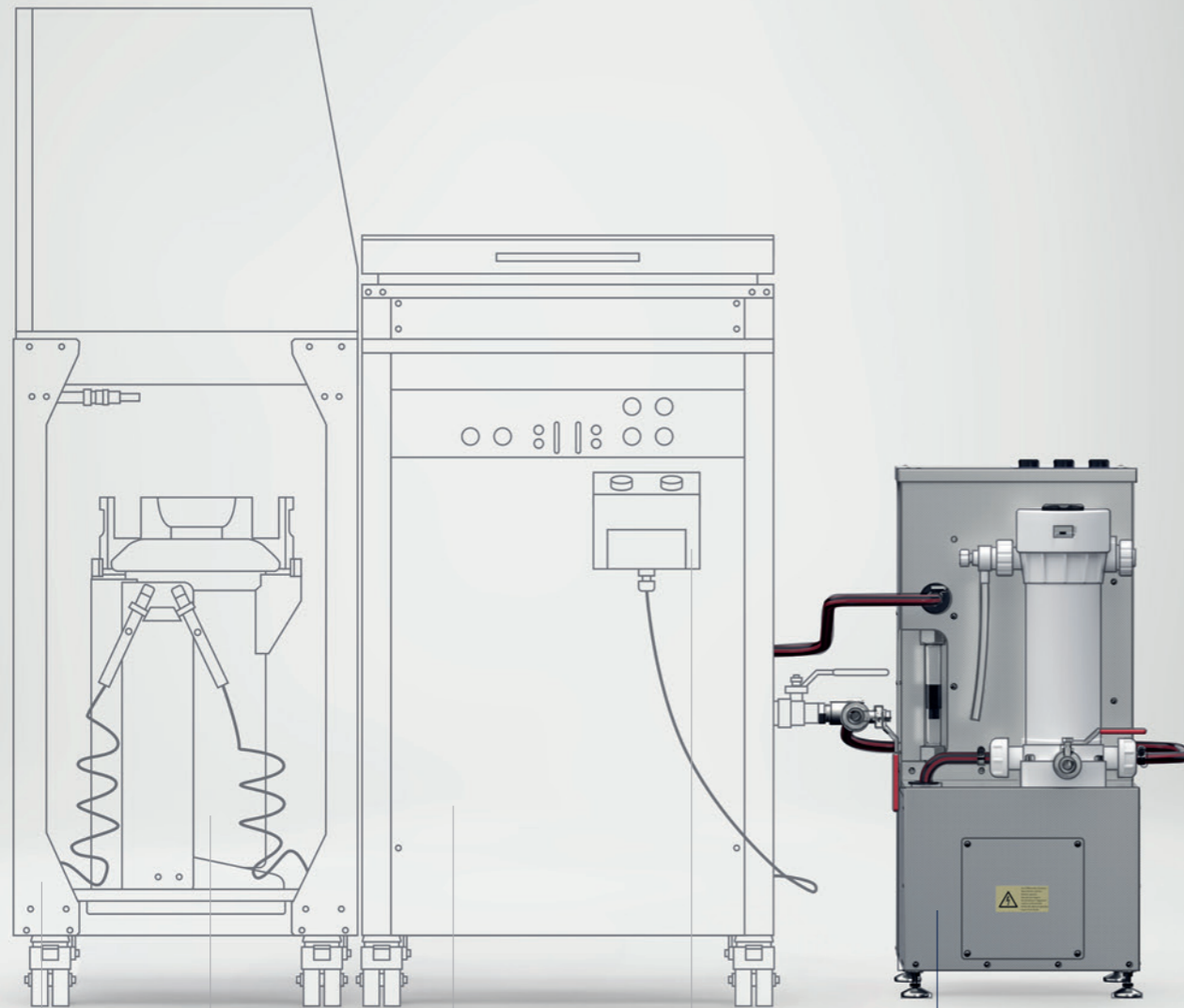
Elma Move

Elma Filter
Continuous cleaning of the cleaning bath.

Elma Table
More space for the items to be cleaned.

Elma Filter

Expansions for individual requirements.



Elma Table
More space for the items to be cleaned.

Elma Rinse
Rinsing the items to be cleaned before the cleaning process.

Elmasonic xtra ST

Elma Filter

Elma Move
Utilise the full power of ultrasound.



Elmasonic xtra ST Accessories

Longer bath service life. Minimised tank wear. Higher productivity with lower operating costs.

Small footprint, mighty cleaning.

With a flow rate of 400 litres/h, the self-suction pump with high availability runs continuously during ultrasonic operation. At the same time, the flow is continuously monitored. The contaminated cleaning bath (including fine particles) is extracted and cleaned via the filter. The cleaned liquid is returned directly to the bath and if the filter needs to be changed this is indicated. The standard filter cartridges (10 inches) can be easily replaced without a service technician. The advantages are obvious as continuous filtration increases

the service life of the cleaning bath. The cleaning bath needs to be emptied and replenished significantly less often, which leads to considerable savings in terms of water consumption and the purchase of cleaning chemicals. By removing particles from the bottom of the tank, it is better protected against erosion. This significantly increases the service life of the tank. The filtered particles can be collected in a targeted manner and recycled, which is particularly advantageous in the case of precious metals.

Highlights

Self-suction pumps with high availability

Particle filtering

Increased service life of ultrasonic tanks thanks to particle filtering

Applications



PRE-CLEANING

Removal of coarse contamination before thorough cleaning takes place.



CLEANING

Removal of even the most stubborn dirt using Elma ultrasonic technology.*



incl. Elma cleaning chemicals



RINSING

Removal of any remaining residues once the items have been cleaned.



DRYING

The cleaned items are allowed to drain off or cool and dry in the final step.



Elmasonic xtra ST Accessories

Ever practical. Always ergonomic. Flexible cleaning processes.

Powerful support.

With the Elma Table, you are no longer slowed down by physically separate pre-cleaning and drying processes. After pre-cleaning, the items to be cleaned can be lifted directly from the Elma Table into the ultrasonic bath at the same working height. As soon as cleaning in the Elmasonic xtra ST is complete, the items can be ergonomically lifted onto the Elma Table for cooling, rinsing or drying. The Elma Table is available in three different sizes, including two devices for mobile use

and one for tabletop operation. The device can be positioned to the left or the right of the Elmasonic xtra ST as required thanks to the castors. Depending on how the Elma Table is set up, the splash guard can be easily adjusted at any time. The drip tray has a 3/8-inch drain and is easy to clean thanks to the removable drip trays. The Elma Table is made of high-quality V2A stainless steel and is easy to clean. The Elma Table is simple and easy to set up.

Highlights

Unit made of brushed V2A stainless steel

Simple tank construction with 3/8-inch drain

Space for Elma Rinse or Elmasteam 8

Applications



PRE-CLEANING

Removal of coarse contamination before thorough cleaning takes place.



CLEANING

Removal of even the most stubborn dirt using Elma ultrasonic technology.*

incl. Elma cleaning chemicals



RINSING

Removal of any remaining residues once the items have been cleaned.



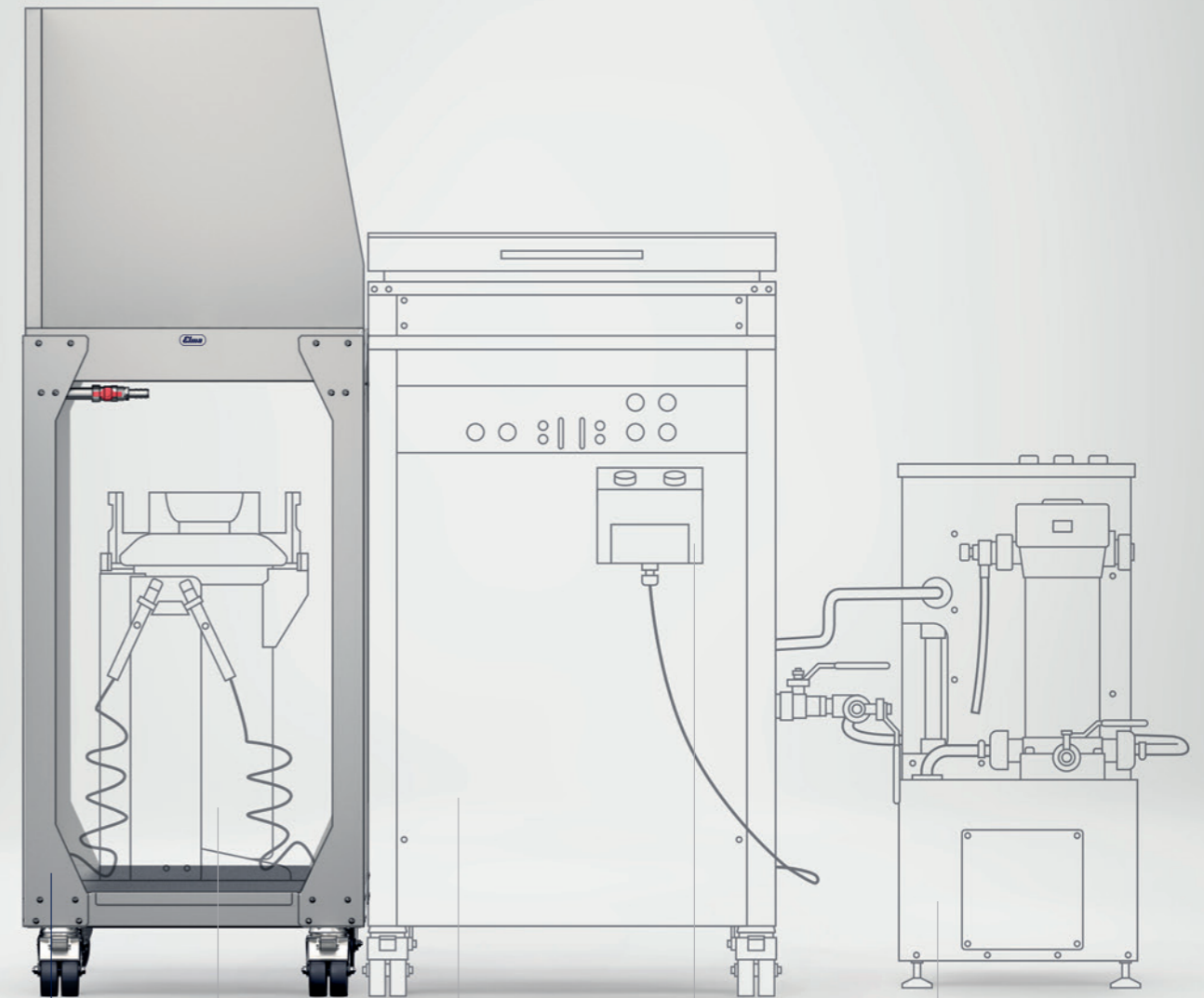
DRYING

The cleaned items are allowed to drain off or cool and dry in the final step.



Elma Table

Expansions for custom requirements.



Elma Table

Elma Rinse
Rinsing the items to be cleaned before the cleaning process.

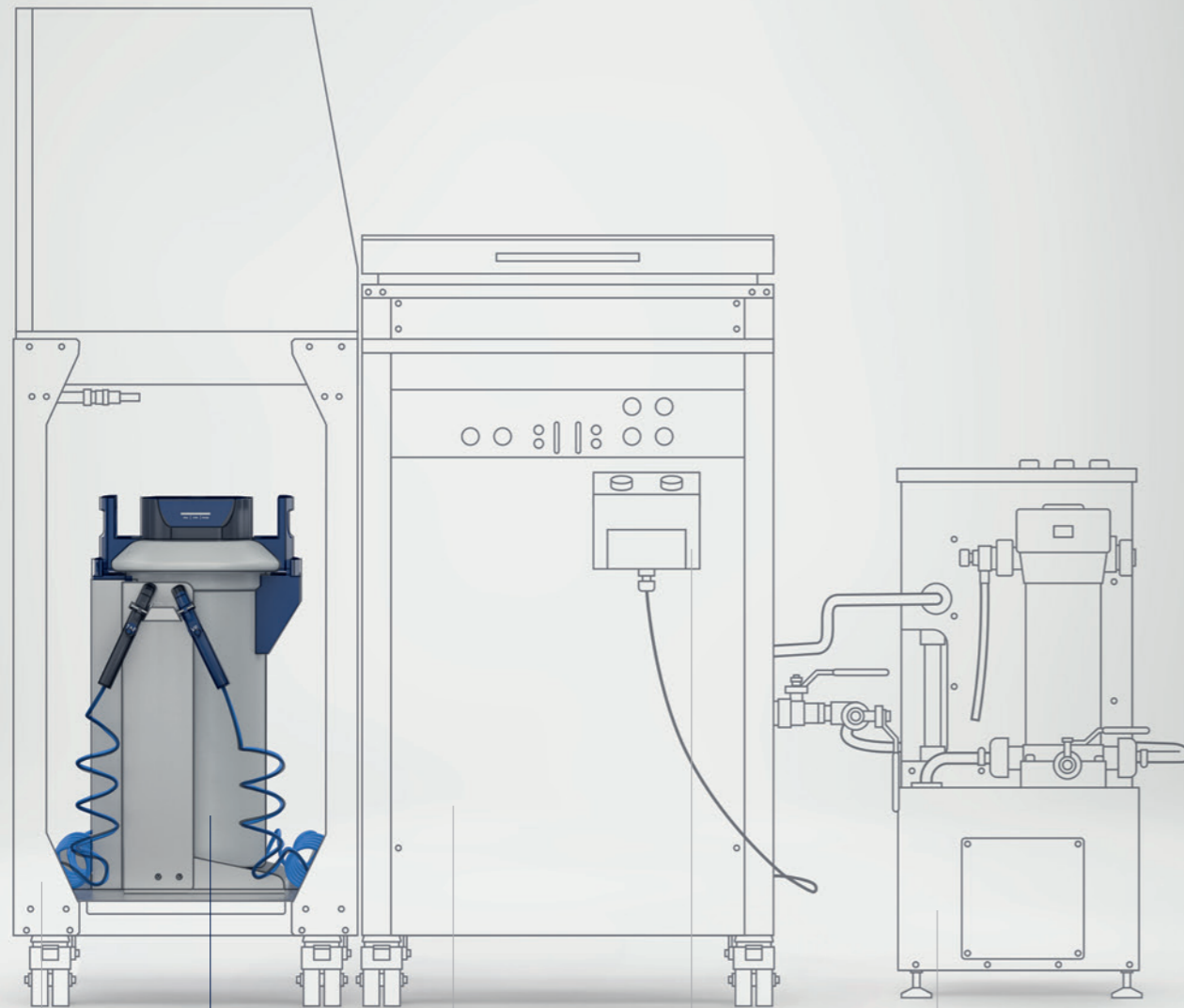
Elma Move
Utilise the full power of ultrasound.

Elma Filter
Continuous cleaning of the cleaning bath.

Elmasonic xtra ST

Elma Rinse

Expansions for individual requirements.



Elma Rinse

Elma Table
More space for the items to be cleaned.

Elmasonic xtra ST

Elma Move
Utilise the full power of ultrasound.

Elma Filter
Continuous cleaning of the cleaning bath.



Elmasonic xtra ST Accessories

With Elma Rinse, rinsing with DM water couldn't be easier. Before and after ultrasonic cleaning.

Cleaning made easy.

Elma Rinse can be easily integrated into the Elma Table. Alternatively, it can also be mounted to the wall or on a table. The two hand showers are each operated with municipal water or demineralised (DM) water. The hand showers each have 2.3-metre-long hoses and swivel couplings, so they offer maximum flexibility

during the rinsing process. The included cartridge for demineralised water can be replaced accordingly and has a capacity of 1,300 litres at a water hardness of 330 µS/cm. Elma Rinse has a flow rate of 300 litres per hour. Elma Rinse increases the quality of the cleaning results with spotless cleaning.

Highlights

Hand showers for rinsing with municipal water and demineralised water

Flexible mounting on the Elma Table, on the wall or under a work table

LED conductivity display for consumption information and cartridge changes

Applications



PRE-CLEANING

Removal of coarse contamination before thorough cleaning takes place.



CLEANING

Removal of even the most stubborn dirt using Elma ultrasonic technology.*

incl. Elma cleaning chemicals



RINSING

Removal of any remaining residues once the items have been cleaned.



DRYING

The cleaned items are allowed to drain off or cool and dry in the final step.



Elma cleaning chemicals

With the correct dose of Elma chemicals for optimal cleaning results.

In our in-house process laboratory, qualified chemists develop highly effective products for various cleaning processes. These are produced at Elma and put to use in various industries.

Industry solutions

Elma Luxury Clean

Whether brightening or removing grease, oils or polishing agents – the different products in this series enable first-class cleaning results for watches and jewellery, and ensure the longevity of the materials used.

Elma Opto Clean

Elma Opto Clean supports the cleaning of eyewear – both plastic and metal frames as well as glass coatings are gently cleaned. Manufacturers of precision lenses benefit from residue-free cleaning results.

Elma Tec Clean

Elma's range of cleaners is designed for a diverse range of cleaning tasks in industrial parts cleaning. Subsequent processes, such as coatings, can be carried out safely and to a high quality after ultrasonic cleaning.

Elma Lab Clean

The range of cleaners for laboratory settings is designed to meet the needs of analytical laboratory instruments and glassware. All cleaners are used for intensive ultrasonic cleaning – this cleaner series is also suitable for laboratory rinsing machines.

Optimal cleaning results.

The really tough cases are our speciality. This is where the quality of our products really gets to shine.

Interested?

sales@elma-ultrasonic.com



Elma Schmidbauer GmbH
Gottlieb-Daimler-Strasse 17
78224 Singen (Germany)

www.elma-ultrasonic.com

