

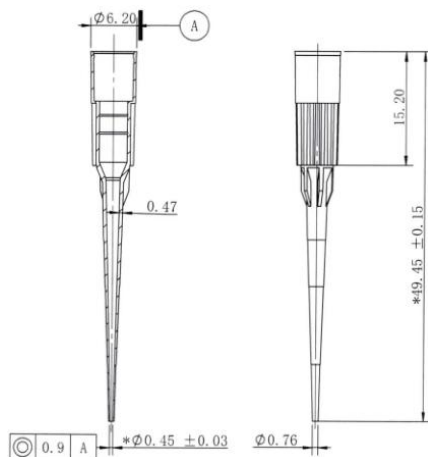
GEB Robotic Tips, compatible with Rainin® LTS® pipettes, can be used in proteomics, drug development, genomics and other fields.

**Product details at-a-glance**

GEB Cat#	Max Volume	Tip Color	Low Retention	Sterilized	Filtered (1.8*3.5)mm	Packaging Spec.
AT020R-9-N	20ul	Natural				96 tips/rack, 10racks/pack, 5 packs/case, 4800tips/case
AF020R-9-N	20ul	Natural			Filtered	
AF020R-9-NS	20ul	Natural		Sterilized	Filtered	
AF020R-9-N-LB	20ul	Natural	Low Retention		Filtered	
AF020R-9-NS-LB	20ul	Natural	Low Retention	Sterilized	Filtered	
Case dimension L*W*H:480*345*280			Gross Weight: 7.32kg			
AT020R-R-N	20ul	Natural				
AF020R-R-N	20ul	Natural			Filtered	
AF020R-R-NS	20ul	Natural		Sterilized	Filtered	
AF020R-R-N-LB	20ul	Natural	Low Retention		Filtered	
AF020R-R-NS-LB	20ul	Natural	Low Retention	Sterilized	Filtered	
Case dimension L*W*H: 500*265*450 mm.			Gross Weight: 8.2kg			

- ✧ 20µL Natural Tips
- ✧ 96 Tip/Hanging Tip Rack format
- ✧ Polypropylene
- ✧ Certified DNase/RNase free
- ✧ Nonpyrogenic
- ✧ Presterile/Nonsterile
- ✧ Filtered ( Filtered With aerosol-resistant filters ) /NonFiltered
- ✧ Endotoxin-Safe meets USP/FDA standards
- ✧ Comply With USP 3127 (Heavy Metal Contamination) standards
- ✧ Compatible with Rainin® LTS® pipettes.

**Drawing:** Reference tolerance table for unmarked tolerance



Select	± A	± B	± C
0-6	0.02	0.05	0.10
>6-30	0.05	0.10	0.15
>30-60	0.10	0.15	0.20
>60-120	0.15	0.20	0.25
>120-180	0.20	0.25	0.30
>180-300	0.25	0.30	0.35