



MADE IN THE USA

Product Description:

- Protection System - Surgical
- Holds a variety of protective apparel in four compartments, O.R. coveralls/jumpsuits or gowns, and a variety of medical supplies in built-in storage area
- Hinged lid over bulk compartments
- Removable shelf for one large storage area
- Keyholes for wall mounting
- Made of Quartz Beige ABS Plastic and Clear PETG Plastic

Primary Area for Product Usage:

- All patient care areas requiring personal protective equipment and isolation supplies: in addition; oncology clinics, dialysis centers and clinic exam areas

Dispenses:

- Top: Four bins, each measuring 6.03"W x 14.75"H x 6.00"D (15.3 cm x 37.5 cm x 15.2 cm)
- Right: Two smaller shelves or one large storage area for miscellaneous medical supplies
 - Top: 10.80"W x 7.88"H x 6.00"D (27.4 cm x 20.0 cm x 15.2 cm)
 - Bottom: 10.80"W x 7.80"H x 6.00"D (27.4 cm x 19.8 cm x 15.2 cm)
 - As one large storage area: 10.80"W x 15.00"H x 6.00"D (27.4 cm x 38.1 cm x 15.2 cm)
- Left: Folded coveralls up to 12.25"W x 15.00"H x 6.00"D (31.1 cm x 38.1 cm x 15.2 cm)

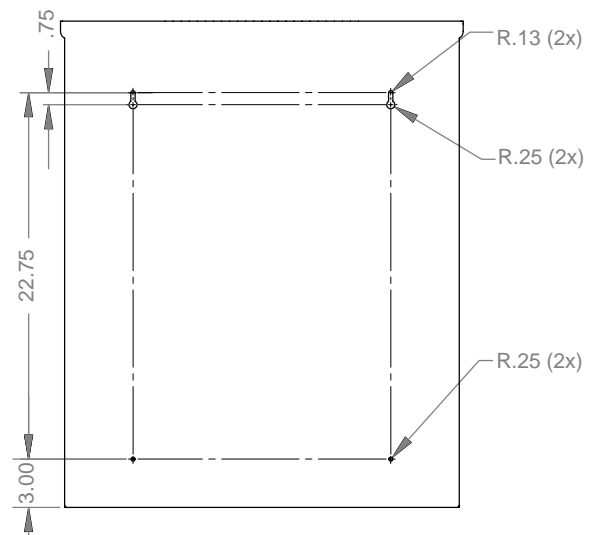
Package Specifications:

- Package Quantity: 1 per case
- 27"L x 8"W x 32"H (68.6 cm x 20.3 cm x 81.3 cm)
- 14.0 lbs (6.4 kg) - approximated

Product Specifications (overall external dimensions):

- 25.00"W x 30.19"H x 6.75"D (63.5 cm x 76.7 cm x 17.1 cm)
- 11.7 lbs (5.3 kg) - approximated

Mounting Specifications:



Alternate Uses (shelf included):

- Shelf is removable to convert two smaller compartments to one large storage area



With Shelf

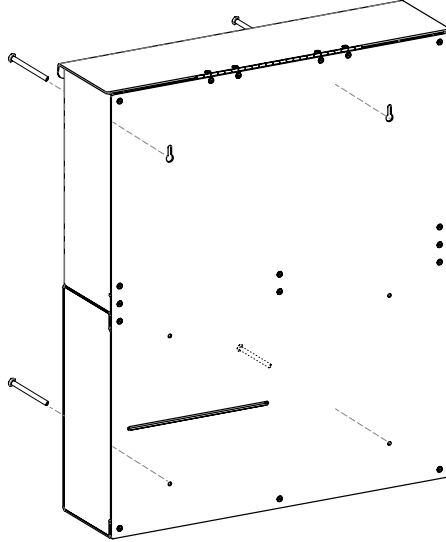




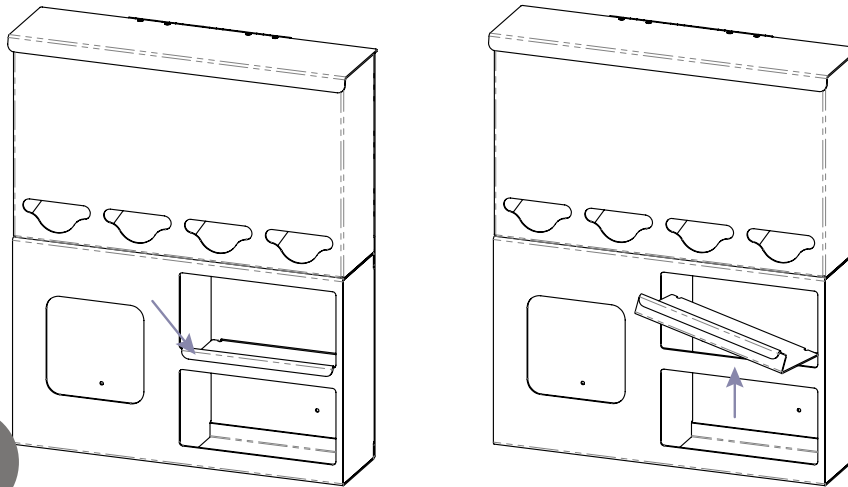
Installation

Always mount dispensers securely *prior* to loading with product.

- Mount securely to a wall with screws approved and supplied by building maintenance.



- To remove shelf, grip shelf lip at center, lift and tilt.
- Pull the shelf through the front, creating one large storage area.



Parts included:

- Dispenser

Tools Required:

- No tools required to assemble dispenser

Care and Construction

ABS Plastic

Material Characteristics

Designed for Long-Term Heavy-Duty Applications

The combination of copolymers (Acrylonitrile, Butadiene, and Styrene) gives ABS an excellent combination of strength, rigidity, and toughness.

ABS is chemical and stress-crack resistant. It is tough, dimensionally stable, and will hold up to long-term use. It possesses high strength and performance characteristics at a reasonable cost.

Care and Cleaning

Use mild soap and water to clean. Petroleum-based oils, solvents, and paints should not be used.

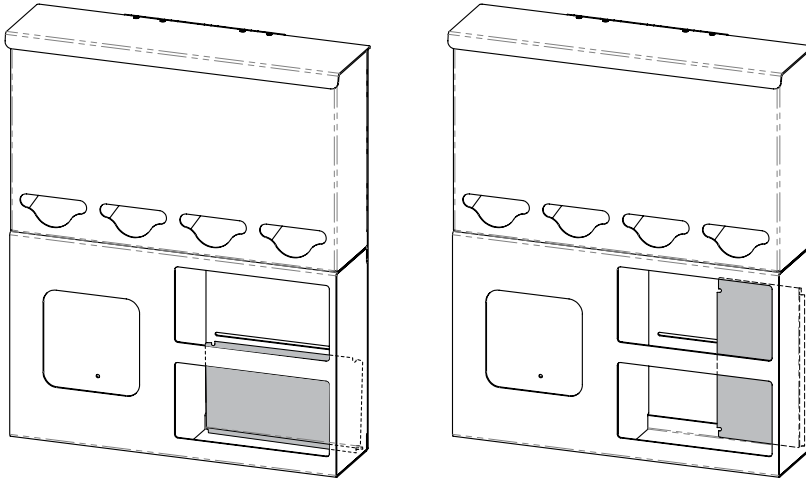
Standard hospital cleaning supplies can be used.



Installation

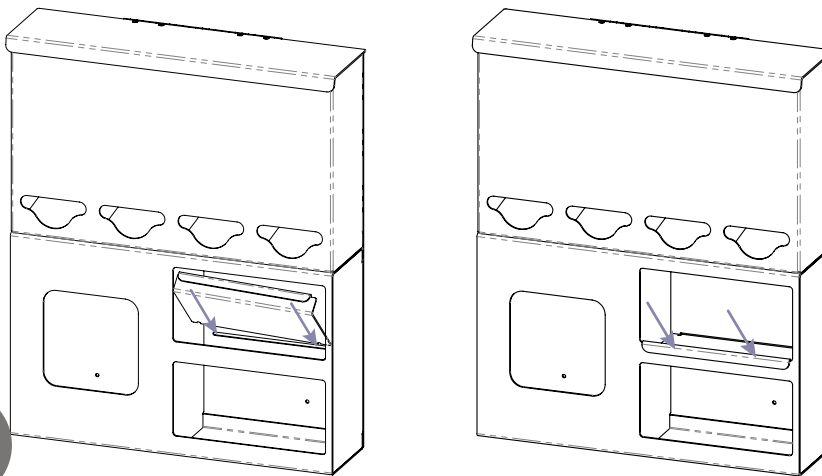
Always mount dispensers securely *prior* to loading with product.

- The shelf can be stored inside the unit in the same area, behind the dispensed product, either horizontally or vertically, as shown.



1

- To re-insert shelf, fit back edge of shelf into notched back of organizer through top section.
- Lower shelf lip to rest on edge of opening.



2

Care and Construction

PETG Plastic

Material Characteristics

Designed for Long-Term Heavy-Duty Applications

Copolyester resin is designed for heavy-duty applications, and is used by BOWMAN® Dispensers. We never use acrylic in our products.

Copolyester (PETG) is typically 15-20 times tougher than general purpose acrylic. PETG is made to withstand handling and reduce losses due to breakage.

PETG resists a variety of chemicals and commonly used cleaning agents, such as PDI wipes. It is tough and durable (not brittle), providing years of trouble-free functionality and long life.

Clear optical characteristics mean the viewer can see the content, read text, and see true colors through the material. It complies with FDA regulations for food contact.

Care and Cleaning

Most cleaning chemicals do not weaken the surface or cause damage to the material. Suggested cleaning method is to use a soft cloth, warm water, and mild soap.