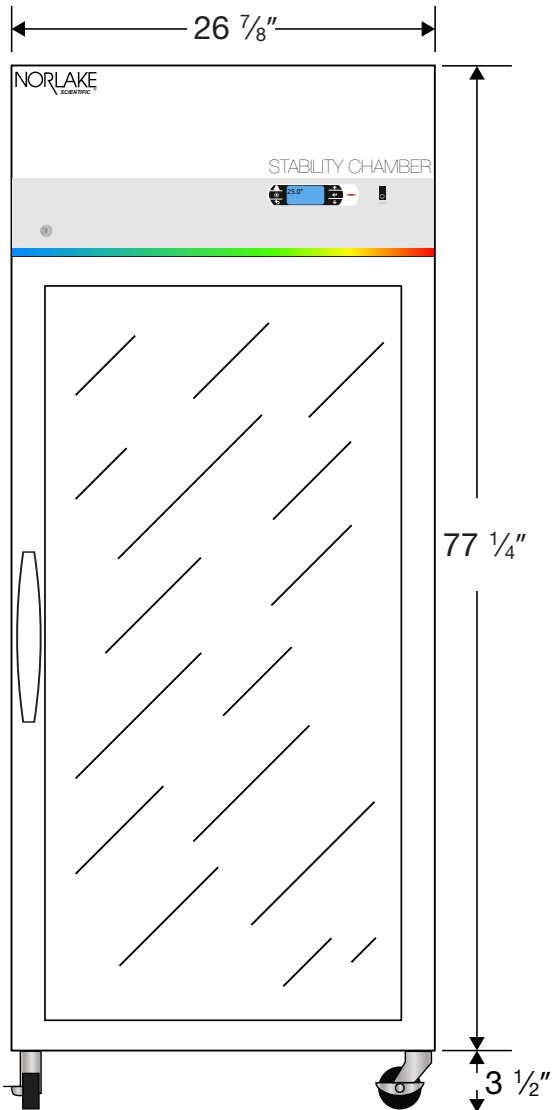
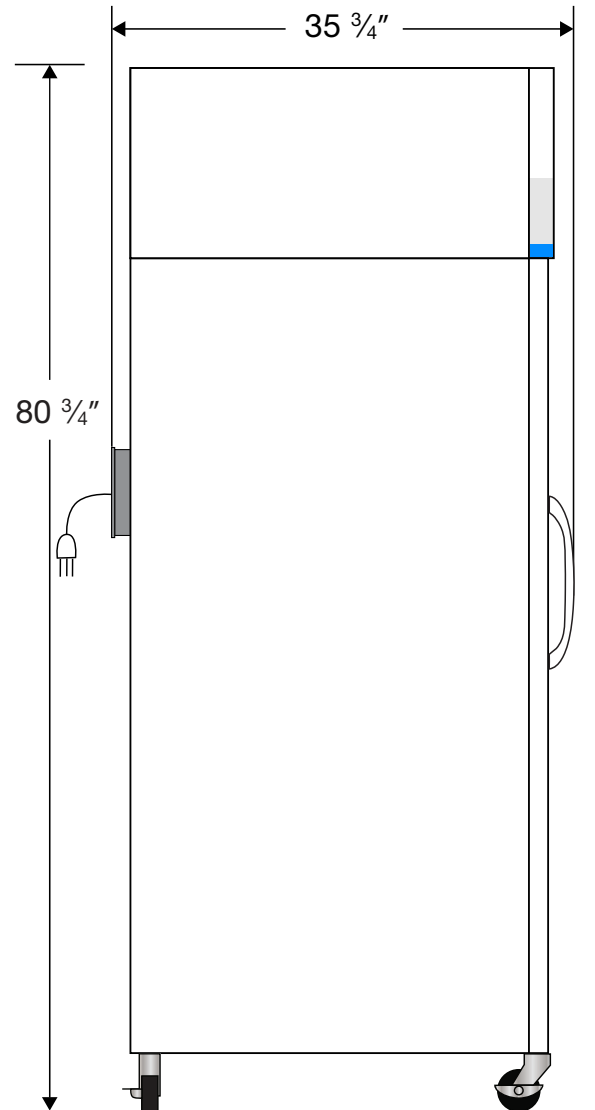


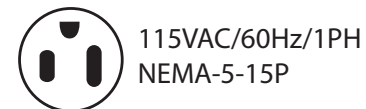
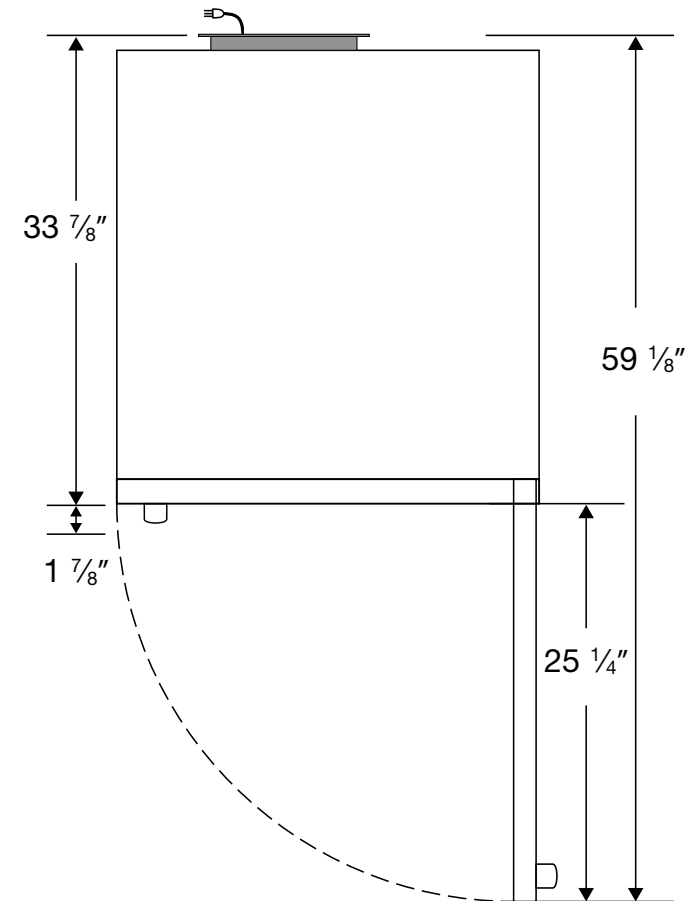
Front View



Side View



Top View



Cu. Ft	Door	Int Door	Shelves	W"	D"	H"	Refrigerant	H.P.	Amps	Weight
23	1 Glass	0	3 Adj. Sliding	26 7/8	35 3/4	80 3/4	R290	1/3	12.4	320 lbs.