

HETTCUBE INCUBATORS

AND COOLED INCUBATORS

A touch more control. HettCube incubators feature a 4.3 inch touchscreen providing more control and program flexibility. The easy-to-read dashboard displays the target and current temperature, the status of the device and an overview of all events and alarm messages for the past 30 days. Every irregularity caused by tolerance band violations or power failure is documented in the logbook. Set weekly program schedules as well as temperature reduction changes for days-off, nights or weekends directly on the device without the need for additional software.

Customizable settings for added security even in the event of a power failure. Various event and alarm functions are easily adjustable per unit. A lockable door and control panel cover, touchscreen with PIN protection and optional USB port key ensures sample security. Users can also define how their HettCube should respond in the event of a power failure, the HettCube can continue with its original setting or move into a safe-mode status.

Optimal conditions for your cultures. HettCube incubators combine the advantages of natural and forced convection to provide a stable and uniform environment for cultures. The fan is housed outside of the usable space, providing higher throughputs and limiting airflow inside the incubator. Temperature is primarily maintained by radiated heat to ensure even temperature distribution and to prevent hot-spots. This yields optimum growth conditions and considerably reduces the potential of samples drying out.

Extensive standard equipment and optional accessories. Contact us to learn more.



Learn more: hettweb.com/incubators

Efficient use of valuable space

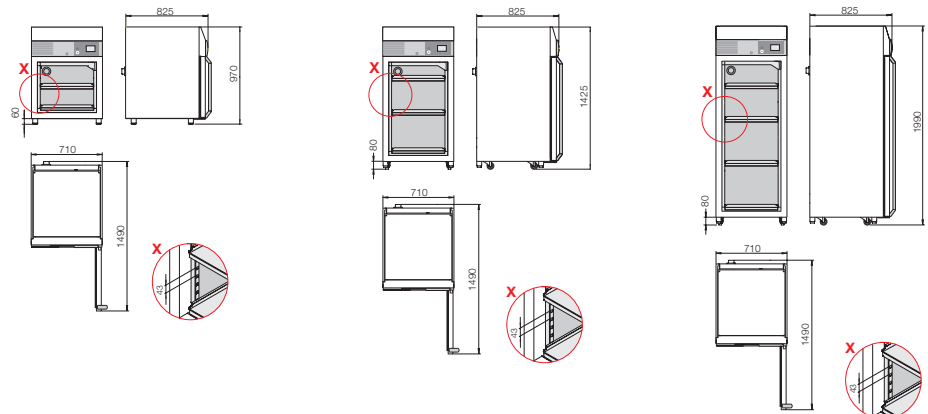
hettweb.com

HETTCUBE SPECIFICATIONS



| HettCube | 200 | 200 R | 400 | 400 R | 600 | 600 R |
|--|--|------------|-----------------------------------|------------|-------------------------------------|------------|
| Temperature range for incubators / Cooled incubators | 1 K above ambient temperature up to +65 °C / 0 °C up to +65 °C | | | | | |
| Exterior dimensions W x D x H mm (inches) | 710 x 825 x 970 (28 x 32.5 x 38) | | 710 x 825 x 1425 (38 x 32.5 x 56) | | 710 x 825 x 1990 (38 x 32.5 x 78.3) | |
| Interior dimensions W x D x H mm (inches) | 535 x 690 x 420 (21 x 27 x 16.5) | | 535 x 690 x 850 (21 x 27 x 33.5) | | 535 x 690 x 1415 (21 x 27 x 55.75) | |
| Internal volume (Liters) | 150 | | 310 | | 520 | |
| Usable volume (per DIN 12880:2007-05 in liters) | 82 | | 199 | | 351 | |
| Percentage usable volume / internal volume | 54 % | | 64 % | | 67 % | |
| Footprint in m ² (sq. ft.) | 0.6 (6.5) | | | | | |
| Weight in kg (lbs.) | 97 (214) | 108 (238) | 122 (269) | 133 (293) | 169 (372) | 180 (397) |
| Number of shelves provided as standard | 2 (1 standard + 1 HTS) | | 3 (2 standard + 1 HTS) | | 4 (3 standard + 1 HTS) | |
| Maximum number of shelves (standard tray) [†] | 4 | | 9 | | 16 | |
| Temperature fluctuation at +37 °C | ± 0.1 K | | | | | |
| Temperature uniformity at +37 °C | ± 0.2 K | | | | | |
| Temperature uniformity at +25 °C | ± 0.1 K | | | | | |
| Recovery time after door open for 30 sec at +37 °C | ≤ 3 min | | ≤ 4.5 min | | ≤ 5.5 min | |
| Energy consumption at +37 °C | 0.04 kWh | | 0.05 kWh | | 0.06 kWh | |
| Noise level | ≤ 42 dB(A) | ≤ 44 dB(A) | ≤ 42 dB(A) | ≤ 44 dB(A) | ≤ 42 dB(A) | ≤ 44 dB(A) |
| CAT. NO. (120 V 1 ~ / 50 – 60 Hz) | 62000-01 | 62005-01 | 64000-01 | 64005-01 | 66000-01 | 66005-01 |
| CAT. NO. for Glass Door (add-on item)* | 60030 | | 60029 | | 60013 | |

[†] Please consult your Hettich representative for shelving options and configurations.
 *For glass door option, order the HettCube model and the Glass Door.



Learn more: hettweb.com/incubators

Thomas Scientific
 1654 High Hill Road, Swedesboro, NJ 08085
 Toll Free: 1.800.345.2100 Fax: 800.345.5232
www.thomassci.com

Hettich | North America
 100 Cummings Center, Ste. 136L
 Beverly, MA 01915, U.S.A.
 Toll free: 1 (866) 370-4388
info@hettweb.com
hettweb.com

© 2019 Hettich Instruments, LP. All rights reserved.
 Lit. No. PS-HETTCUBE-EN-01-2019.

Hettich products are designed to help you achieve optimal results for your application and are built to perform to the specifications outlined in the operators manual. For application specific information and settings, please refer to your organizations standard operating procedure. As always, our Hettich representatives are here to help determine which Hettich products and/or accessories best fit your laboratory requirements.