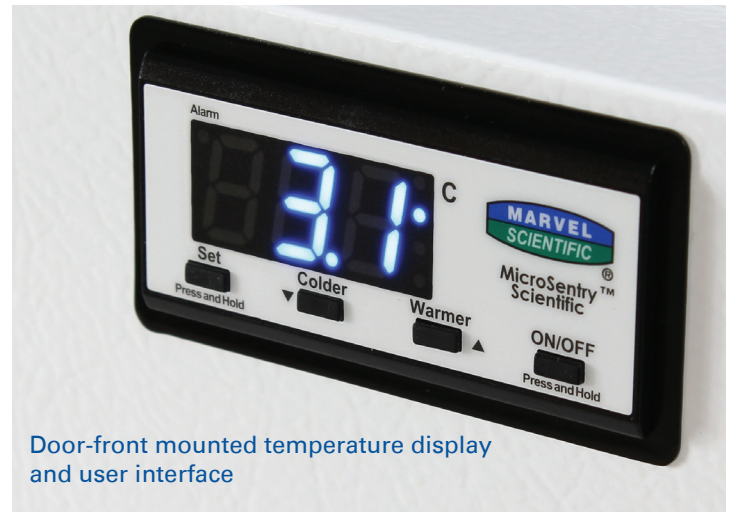




# 24" General Purpose All-Refrigerator

Model # MS24RAS\*\*



Door-front mounted temperature display and user interface

## Standard Features

- 1" diameter probe port in rear cabinet wall (standard)
- 3 full-depth perforated metal shelves, cantilever mounted on rear wall of interior, adjustable in 1.5" increments
- Flat interior door liner maximizes depth of shelves
- "Box Style" door for easy mounting of inventory management system hardware
- Front vented through toe space grill for true built-in installations
- Extra-long, jacketed commercial power cord with hospital grade plug to meet stringent hospital and clinical use standards
- CSA Approved and warrantied for commercial use
- Standard door lock for secure storage needs
- Discrete top edge mounted door handle
- Cam-assisted door close hinge system to reduce door ajar events
- Bright energy efficient white LED interior lighting for easy content viewing
- 4 leveling legs for up to 1" height adjustment
- Durable white powder coat paint finish
- Recommended ambient temperature 18.3°C to 32.2°C (65°F to 90°F)
- Specify right-hand hinge or left-hand hinge when ordering, door hinging cannot be changed in the field
- Additional shelves can be ordered separately, the ordering part number is S41013646-WHT

## Reliable Temperature Stability & Energy Efficiency

- Advanced forced air evaporator system design with optimized interior cooling air distribution
- New energy efficient door gasket system seals in the cold, reducing energy consumption
- Powerful compressor for fast pull-down time and temperature recovery after door opening or content loading
- Automatic defrost without supplemental heat

## MicroSentry™ II Temperature Control

- Door-front mounted control for easy access and monitoring
- Accurate electronic temperature control of contents within  $\pm 2^{\circ}\text{C}$  of set point
- Large, easy-to-read digital temperature display with resolution to  $0.1^{\circ}\text{C}$
- User-selectable temperature set point between  $+2^{\circ}$  and  $+8^{\circ}\text{C}$ , factory preset to  $+4^{\circ}\text{C}$
- User-selectable high and low temperature alarm values
- User-selectable alarm delay time period
- Visual and audible alarms for over temperature, under temperature, and door ajar events
- Alarm silence and automatic ring back function
- Keypad lock-out to prevent unintended control inputs
- Basic high and low temperature logging with reset capability
- Visual diagnostic error codes

Rough-In Dimensions		
"A"	"B"	"C"
24" (61 cm)	34" to 35" (86.4 to 88.9 cm)	*

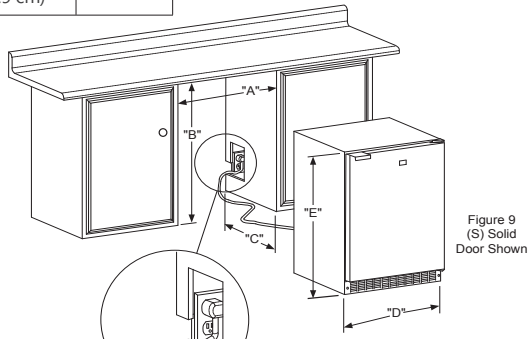


Figure 9  
(S) Solid  
Door Shown

Figure 9a



Figure 10

If necessary to gain clearance inside the rough-in opening a hole can be cut through the adjacent cabinet and the power cord routed through this hole to a power outlet. Another way to increase the available opening depth is to recess the power outlet into the rear wall to gain the thickness of the power cord plug. Not all recessed outlet boxes will work for this application as they are too narrow, but a recessed outlet box equivalent to Arlington #DVFR1W is recommended for this application, (see Figure 10).

## Storage Configuration

(3) cantilever, fully adjustable white steel shelves

## Product Dimensions

23 <sup>7</sup>/<sub>8</sub>" W x 33 <sup>3</sup>/<sub>4</sub>" minimum H x 23 <sup>23</sup>/<sub>32</sub>" D  
(excluding door handle)

## Finish/Door Options



White

Cabinet Dimensions					
"D"	"E"	"F"	"G"	"H"	"J"
23 <sup>7</sup> / <sub>8</sub> " (60.7 cm)	33 <sup>3</sup> / <sub>4</sub> " to 34 <sup>3</sup> / <sub>4</sub> " (85.7 to 88.3 cm)	23 <sup>23</sup> / <sub>32</sub> " (60.2 cm)	24 <sup>31</sup> / <sub>32</sub> " (63.4 cm)	47 <sup>3</sup> / <sub>32</sub> " (119.6 cm)	24 <sup>7</sup> / <sub>8</sub> " (63.2 cm)

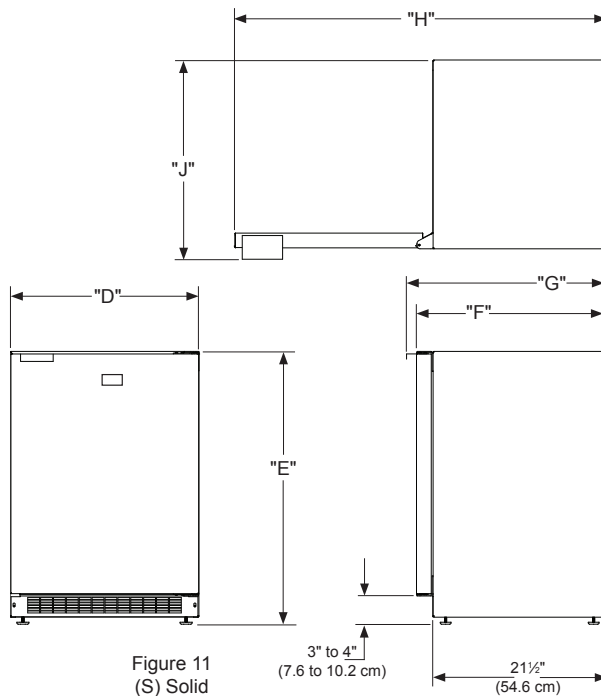


Figure 11  
(S) Solid  
Door Shown

## Ordering Details

Solid White Cabinet and Door - Right Hinge with Lock	MS24RAS4RW
Solid White Cabinet and Door - Left Hinge with Lock	MS24RAS4LW



Width	23 <sup>7</sup> / <sub>8</sub> "
Interior Finish	White
Capacity	5.3 Cubic Feet 150 Liters
Shelving System	Cantilever
Shelf Fronts	White
Interior Lighting	2 LED Pods
Toe Grill Finish	Black
Hinge	Cam-assisted self close

Handle	Discrete
Control Type	MicroSentry™ II
Lock	Yes
Temperature Range	36°F to 46°F (2°C to 8°C)
Electrical Requirements	120V / 60Hz / 15A
Length of Power Cord	5'

Product Dimensions	23 <sup>7</sup> / <sub>8</sub> " W x 33 <sup>3</sup> / <sub>4</sub> " H x 23 <sup>23</sup> / <sub>32</sub> " D
Depth to Front of Door	23 <sup>23</sup> / <sub>32</sub> "
Depth to Handle	24 <sup>31</sup> / <sub>32</sub> "
Depth with door at 90°	47 <sup>3</sup> / <sub>32</sub> "
Shipping Weight	135 lbs
Finishes	White
Agency Approvals	CSA