

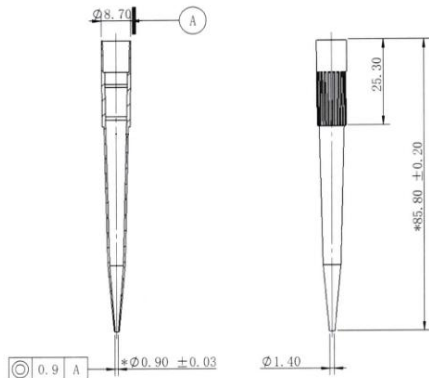
GEB Robotic Tips, compatible with Rainin® LTS® pipettes, can be used in proteomics, drug development, genomics and other fields.

Product details at-a-glance

GEB Cat#	Max Volume	Tip Color	Low Retention	Sterilized	Filtered (6.6*3.5)mm	Packaging Spec.
AT1000R-B-N	1000ul	Natural				1000 tips/bag, 5bags/case, 5000tips/case.
AT1000R-B-N-LB	1000ul	Natural	Low Retention			
AF1000R-B-N	1000ul	Natural			Filtered	
AF1000R-B-NS	1000ul	Natural		Sterilized	Filtered	
AF1000R-B-N-LB	1000ul	Natural	Low Retention		Filtered	
AF1000R-B-NS-LB	1000ul	Natural	Low Retention	Sterilized	Filtered	
Case dimension L*W*H:690* 235*330mm			Gross Weight: 5.3kg			
AT1000R-9-N	1000ul	Natural				96 tips/rack,10 racks /pack, 5 packs / case. 50 racks/case, 4800tips/case.
AT1000R-9-N-LB	1000ul	Natural	Low Retention			
AT1000R-9-NS	1000ul	Natural		Sterilized		
AT1000R-9-NS-LB	1000ul	Natural	Low Retention	Sterilized		
AF1000R-9-NS	1000ul	Natural		Sterilized	Filtered	
AF1000R-9-NS-LB	1000ul	Natural	Low Retention	Sterilized	Filtered	
AT1000R-R-N-LB	1000ul	Natural	Low Retention			
AF1000R-R-NS	1000ul	Natural		Sterilized	Filtered	
AF1000R-R-NS-LB	1000ul	Natural	Low Retention	Sterilized	Filtered	
Case dimension L*W*H: 475*285*595mm			Gross Weight: 13.5kg			
AT1000R-E-N	1000ul	Natural				96 tips/rack,5 stacks /bag, 10 bags /case, 4800tips/case.
AT1000R-E-N-LB	1000ul	Natural	Low Retention			
Case dimension L*W*H:455* 270*265mm			Gross Weight: 7.2kg			

- ✧ 1000µL Natural Tips
- ✧ 96 Tip/Hanging Tip Rack format/Blut
- ✧ Polypropylene
- ✧ Certified DNase/RNase free
- ✧ Nonpyrogenic
- ✧ Presterile/Nonsterile
- ✧ Filtered (Filtered With aerosol-resistant filters) /NonFiltered
- ✧ Endotoxin-Safe meets USP/FDA standards
- ✧ Comply With USP 3127 (Heavy Metal Contamination) standards
- ✧ Compatible with Rainin® LTS® pipettes.

Drawing: Reference tolerance table for unmarked tolerance



Select	±A	√ ±B	±C
0-6	0.02	0.05	0.10
>6-30	0.05	0.10	0.15
>30-60	0.10	0.15	0.20
>60-120	0.15	0.20	0.25
>120-180	0.20	0.25	0.30
>180-300	0.25	0.30	0.35