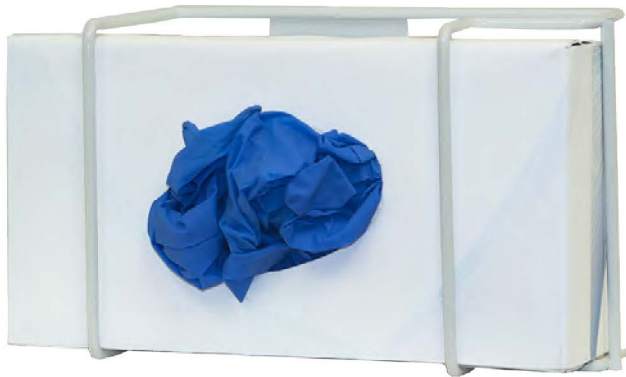




Mounted vertically



* Imported

Product Description:

- Glove Box Dispenser - Single
- 2 each per pack
- Holds one box of gloves
- Slot-style screw holes for vertical or horizontal wall mounting
- White Coated-Wire

Primary Area for Product Usage:

- Anywhere gloves are needed

Dispenses:

- Box(es) no larger than 5.31"W x 10.00"H x 3.75"D (13.5 cm x 25.4 cm x 9.5 cm)
- Box(es) no smaller than 4.75"W x 8.25"H x 2.75"D (11.4 cm x 21.0 cm x 7.0 cm)

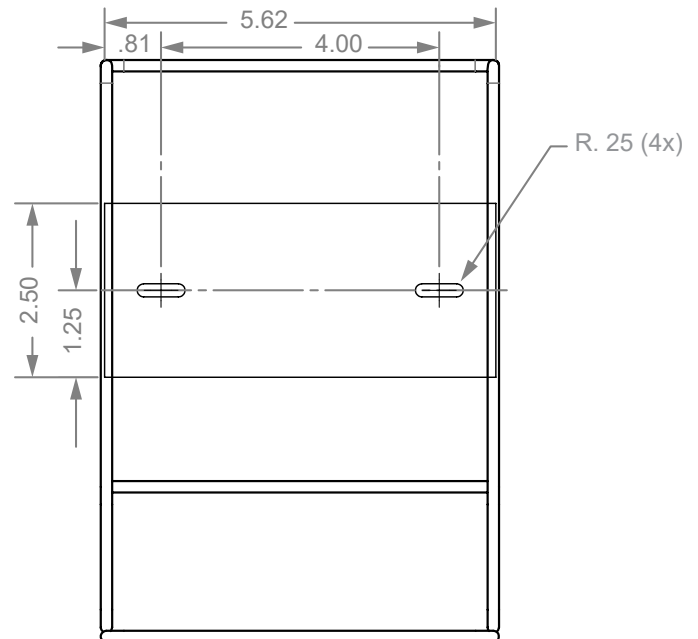
Package Specifications:

- Package Quantity: 2-pk/3 pks per case
- 14"L x 9"W x 12"H (35.6 cm x 22.9 cm x 30.5 cm)
- 7.0 lbs (3.0 kg) - approximated

Product Specifications (overall external dimensions):

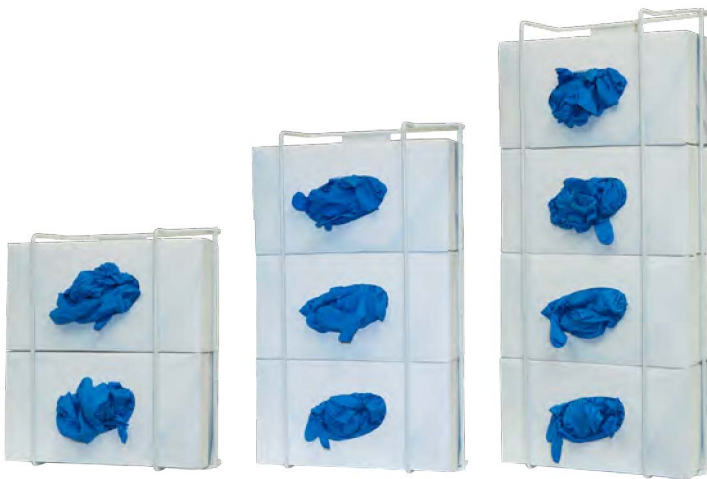
- 5.67"W x 8.16"H x 3.75"D (14.4 cm x 20.7 cm x 9.5 cm)
- 0.95 lbs (0.4 kg) - approximated

Mounting Specifications:



Alternative Products (each sold separately):

- GL022-0613: Glove Box Dispenser - Double
- GL033-0613: Glove Box Dispenser - Triple
- GL044-0613: Glove Box Dispenser - Quad



GL022-0613

GL033-0613

GL044-0613

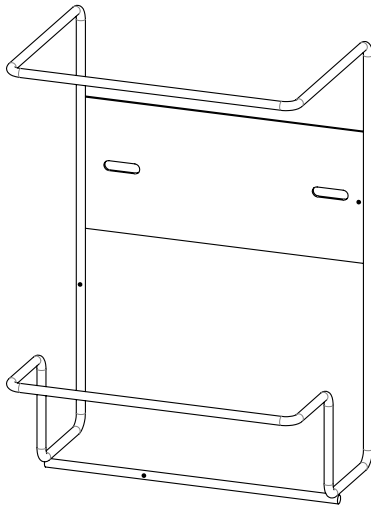




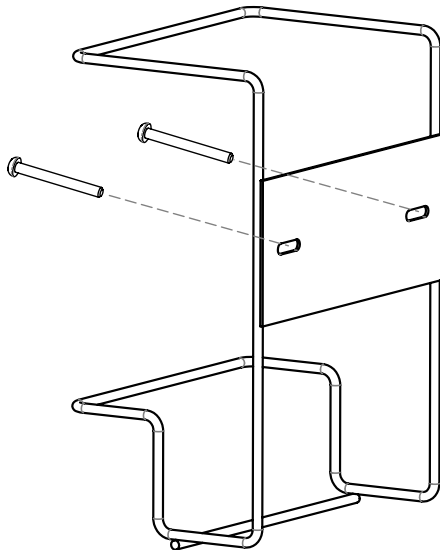
Installation

Always mount dispensers securely *prior* to loading with product.

- Unique design allows same dispenser to be mounted vertically or horizontally.



- Mount securely to a wall with screws approved and supplied by building maintenance.



Parts included:

- Dispenser

Tools Required:

- No tools required to assemble dispenser

Care and Construction

Coated-Wire

Material Characteristics

Functional and Economical

Our wire dispensers are made of heavy gauge wire to retain their shape and withstand normal use.

The clean, bright appearance of powder-coated wire looks attractive and provides a professional image.

Care and Cleaning

For best results, clean by washing the surface with a diluted solution of a mild, non-abrasive detergent in cold or warm water and a non-abrasive cloth. Standard hospital cleaning supplies can be used.

Dry with a soft cloth. Do not use any solvent-based materials, abrasives (e.g. Scotch-brite, steel wool), or apply excessive force during cleaning.