

LRF201WWW/OA
Images

Product Description

The General-Purpose Dual Temperature units meet and exceed the specifications of most general-purpose units, providing both refrigerator and freezer compartments with standard analog dial temperature thermostats. Units are intended for general purpose applications only where precise temperature control and maintenance are not essential and there are no requirements for temperature alarms.

Environmentally friendly, natural hydrocarbon (HC) refrigerants (not containing hydrofluorocarbons) vastly reduce global-warming potential (GWP) while meeting new EPA/SNAP mandates and UL, ASHRAE compliance guidelines. **DISCLAIMER:** Auto defrost freezers incorporate an electric heater installed on the evaporator that assist in the removal of the frost and ice. Although the heater helps speed up the frost and ice removal, it can raise the temperatures within the freezer.

General Description and Application

Storage capacity (cu. ft)	20 Cu. Ft.
Door	2 swing solid doors
Shelves	3 shelves, (1 Fixed, 2 Adjustable) -Refrigerator
Freezer Compartments	Non-applicable
Baskets	1 Removable Bin -Refrigerator
Mounting	Fixed position rollers
Interior lighting	Interior Refrigerator Light
Airflow management	Non-applicable
External probe access	Probe access port
Insulation	High density urethane foam cabinet insulation
Exterior materials	Steel
Access Control	Non-applicable
General warranty	Two (2) year parts and labor warranty
Product Weight (lbs)	170
Shipping Weight (lbs)	200
Rated Amperage	2 Amps
Power Plug/Power Cord	NEMA 5-15 Plug, 8-10 ft. typical, conforms to UL471 requirements
Facility Electrical Requirement	115V, 60 Hz
Agency Listing and Certification	Non-applicable

Refrigeration System

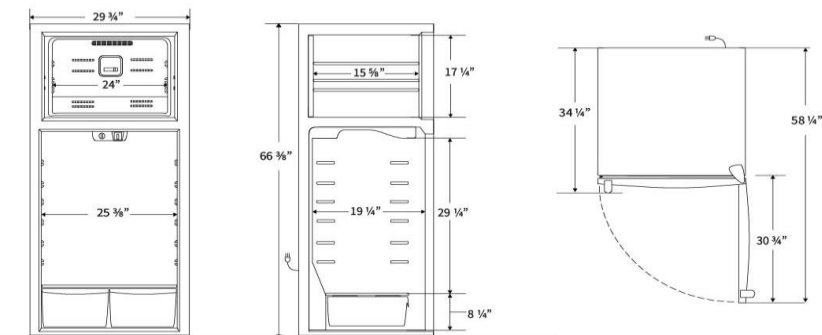
Refrigerant	R600a
Defrost	Auto defrost (freezer), Cycle defrost (refrigerator)

Controller, Configuration, Alarms and Monitoring

Controller technology	Mechanical Thermostat
Display technology	Non-applicable
Adjustable Temperature Range (Refrigerator)	
Adjustable Temperature Range (Freezer)	
External alarm connection	Non-applicable
Alarms	Non-applicable
Simulator Ballast	2 each, 3/8" ports; 1 Freezer, 1 Refrigerator
Digital Communication	Non-applicable
Data Transfer	Non-applicable
Disclaimers	Indoor use only, +18°C to +26°C (+65°F to +78°F), <70%RH, DISCLAIMER: Auto defrost freezers incorporate an electric heater installed on the evaporator that assist in the removal of the frost and ice. Although the heater helps speed up the frost and ice removal, it can raise the temperatures within the freezer.

Dimensions

	Width (in.)	Depth (in.)	Height (in.)	Door Swing (in.)	Total open Depth (in.)
Exterior	29 3/4"	34 1/4"	66 3/8"	30 3/4"	58 1/4"
Interior	Top 24" Bottom 25 3/8"	Top 15 5/8" Bottom 19 1/4" "	Top 17 1/4" Bottom 29 1/4"		


Contact

Customer Service

866-674-7220

info@bslab.com