



ION-100A

Ionizer



Increasing Weighing Accuracy by Reducing Static Electricity

ION-100A Ionizer optimizes the accuracy of results when weighing extremely finite samples by mitigating static charges that can lead to inaccuracies. ION-100A eliminates static electricity on plastic and glass weighing vessels which are particularly prone to attracting static charges. The ION-100A Ionizer used with an OHAUS balance adds an extra level of assurance that outside factors will not impact the accuracy of weighing data.

Standard Features Include:

- **Fan-Free Technology Neutralizes Static with No Sample Disruption** — ION-100A's electrodes continuously generate bipolar ions through DC corona (fan-free technology). The positive and negative ions are created by two electrodes that direct the ionized air onto the sample. Through this fan-free technology, the ION-100A neutralizes static charges without the production of air streams.
- **An Easily Replaceable Long-Running Motor** — The Ionizer's durable electrodes, which have an estimated operating life of 15,000 hours, can be easily replaced as necessary.
- **A Compact and Versatile Design** — The Ionizer's height and angle can be adjusted for optimal alignment with the balance, while its small footprint takes up minimal space on the lab bench.

ION-100A Ionizer

Model	ION-100A
Item Number	30095929
Power	12V \approx 0.5A
Ambient Conditions	Indoor use only
Altitude	Up to 2000 meters
Specified Temperature Range	0°C to 40°C
Humidity	Maximum relative humidity 80% for temperatures up to 31°C, decreasing linearly to 50% relative humidity at 40°C
Power Supply Voltage Fluctuations	Up to \pm 10% of the nominal voltage
Installation Category	II
Pollution Degree	2
Operating Temperature Range	5°C to 40°C / 41°F to 104°F
Net Weight	0.5 kg / 1.1 lb
Shipping Dimensions (W x H x L)	28 x 21 x 15 cm / 11 x 8.27 x 5.9 in
Shipping Weight	1.2 kg / 2.6 lb

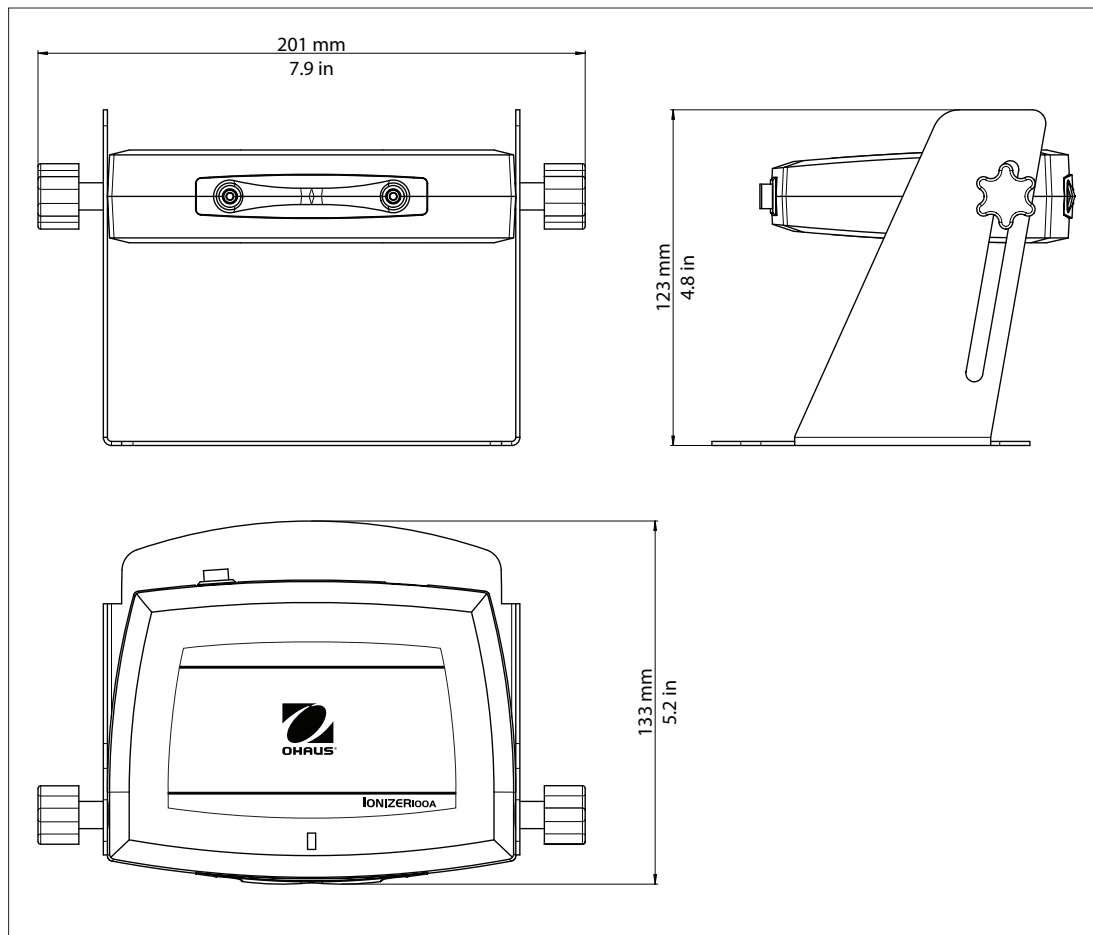
Compliance

- **Product Safety:** IEC 61010-1:2010, EN 61010-1:2010, UL 61010-1 (3rd edition)
- **Electromagnetic Compatibility:** IEC 61326-1:2012 (Class A emissions, General immunity), EN 61326-1:2013 (Class A emissions, General immunity), FCC Part 15 (Class A), Industry Canada ICES-001 (Class A)
- **Environment:** WEEE, RoHS

Accessory

Replacement Electrode ION-100A..... 30133391

Dimensions



OHAUS Europe GmbH
 Im Langacher 44
 8606 Greifensee
 Switzerland

e-mail: ssc@ohaus.com
 Tel: 0041 22 567 53 19
 e-mail: tsc@ohaus.com
 Tel: 0041 22 567 53 20

www.ohaus.com

OHAUS Corporation is an ISO 9001:2008 manufacturer

ISO 9001:2008
 Registered Quality
 Management System

CH16B001

80774828 © Copyright OHAUS Corporation

