



# AFIA™ DISPENSER

## Manual Dispenser

### DESCRIPTION

Afia™ Dispensers are the latest technology in hand care dispenser solutions. Designed for use in virtually any private or public restroom, this attractive, durable unit is the dispenser of choice. With unique built-in foaming dispenser valve, the fia™ dispenser saves money right away by not having to throw away a valve on every bag of product.

### PRODUCT FEATURES / BENEFITS

- **ANTIMICROBIAL PUSH VALVE.** / Reduces bacterial, mold, fungi on the surface to protect from degradation\*.
- **DISPENSES GENEROUS 0.6 ML PER ACTIVATION.** / Just one push is enough to wash your hands.
- **STURDY, DURABLE CONSTRUCTION** / Base constructed of durable, high quality ABS Plastic for long term performance and reliability.
- **MODERN DESIGN** / Looks great in all environments.
- **PRE-MOUNTED FOAMING VALVE.** / Durable, long life, non-clogging foaming valve.
- **EASY MOUNTING, COMES COMPLETELY ASSEMBLED** / Supplied with 3M adhesive foam strips for simple, easy, secure mounting.
- **1000/1250 ML BAG CHAMBER** / Accommodates up to 1250 ml bag in one versatile dispenser.
- **VIEW WINDOW** / Attractive construction with view window to see inside the dispenser.
- **KEYED ACCESS** / Locked design prevents unwanted access. Keyed entry for easy cartridge replacement and cleaning.
- **SLIM DESIGN, ADA CERTIFIED** / Perfect size is ideal for restrooms and many more locations. The logical choice for helping prevent the spread of germs.

### DIRECTIONS FOR MOUNTING

- \* The installer of the dispenser is responsible for proper installation to ensure proper function and safety.
- \* Use included TAPE on glazed tile, painted metal or unpainted metal walls. Tape will not perform satisfactorily if wall surface is porous like brick or wood.
- \* Use included SCREWS AND ANCHORS or other appropriate hardware based on surface type.
- \* Locate dispenser above a sink or counter. Recommend never locating where spillage can fall on floor creating hazardous condition.
- \* To be in compliance with ADA regulations, the dispenser should be mounted no more than 48" from the ground.

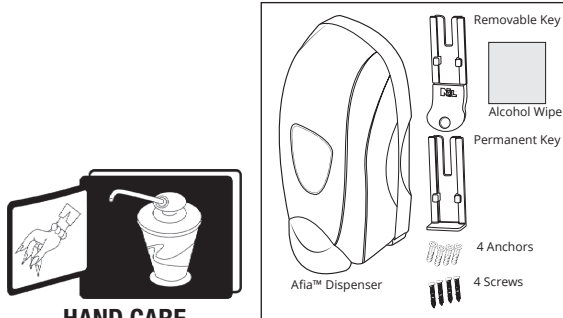
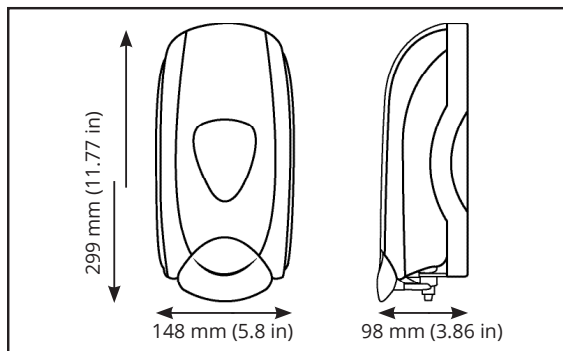
Mounting with double-sided tape:

1. Thoroughly clean wall surface, wipe with included alcohol wipe and let dry completely. For silicone build-up, use a pumice-type cleaner or grout cleaner to clean the surface.
2. Peel off paper from the back of tape (supplied). Press dispenser firmly to the wall and hold for at least 30 seconds to make sure tape has completely adhered to the wall.
3. It is recommended to wait 24 hours before filling with soap to ensure the tape has completely adhered to the wall before adding weight.

Mounting with screws and anchors:

1. Open dispenser cover.
2. Using the dispenser as a template, mark hole locations on the wall.
3. Drill 3/16" diameter holes for anchors and screws. Insert the anchors and hammer into wall.
4. Insert the screw 2/3 of the way into the anchor.
5. Hang dispenser over the screws and then tighten screws to secure the dispenser to the wall.

### DIMENSIONS



HAND CARE

PRODUCT	NUMBER
Afia™ Manual White	4216
Afia™ Manual Black	4217
Afia™ Liquid Valve	4218



401 N. 10th Street • Philadelphia, PA 19123  
1-800-NAT-CHEM • 215-922-1200 • FAX: 215-922-5517  
www.nclonline.com • e-mail:info@nclonline.com

\*According to EPA Guidelines the antimicrobial technology cannot claim to protect users or others against germs, bacteria, viruses or other disease organisms. Always clean and wash products thoroughly.