



# BenchPro Workstations



Presented by: Xano Wang  
Sales Director  
BenchPro - Los Angeles Marketing Office  
626-321-8219  
[xano@BenchPro.com](mailto:xano@BenchPro.com)

## BenchPro™ dba BenchDepot.com

Headquarters in Tecate, California  
135,000 sqf facility; Founded in 1983



Branches in Germany and Mexico

CCR & ORCA Registered  
DUNS Number : 102383705  
CAGE Code : 3BQL9  
NAICS : 337127, 339111



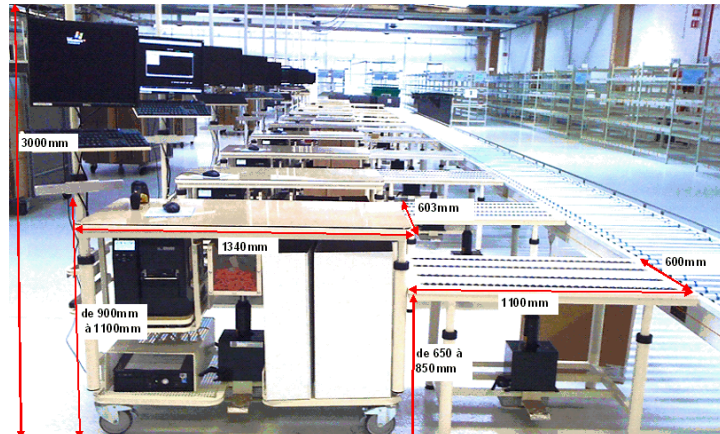
Laboratory Apparatus and Institutional Furniture  
Manufacturing (e.g., benches, cabinets, stools, tables)



## Study Case – Louis Vuitton Project

12 Custom work tables with metric Size, white color and custom Shelf

BenchPro deliver and install it in 2 Weeks



## Why BenchPro?

It all looks the same on paper



## Weight Capacity



**BenchPro™** 6,600 lb yet cost less

5,000 lb

THE "MODEL HD"

750 lb

1,500 lb

## Better Design & Durable

BenchPro™ welds 0.25" steel on 2" tubing

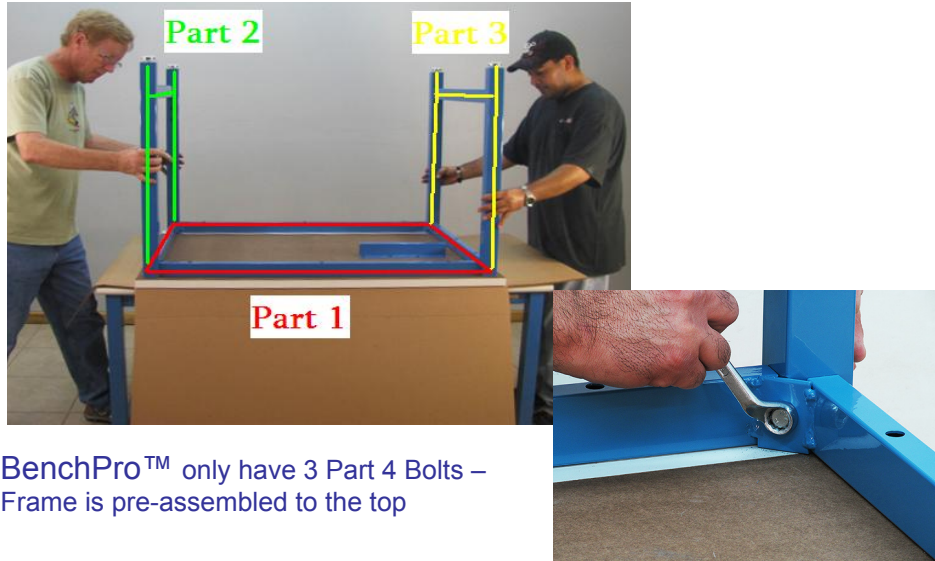


Our Competitors use hollow leg & channel frame

6600# With No Footrest

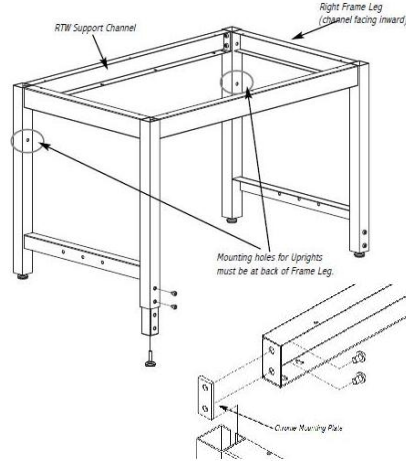
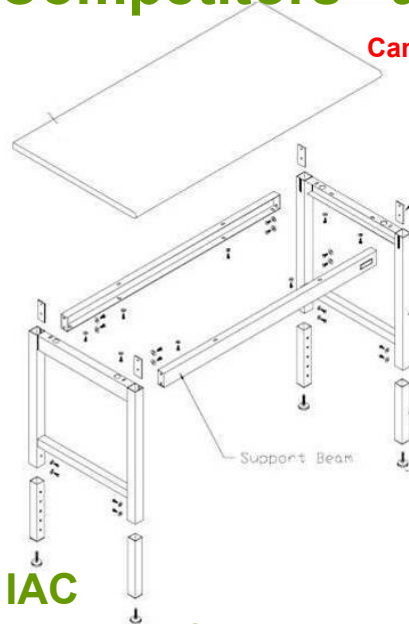
# Workbench Assembly

3 minute assembly or FULL REFUND



## Competitors' assembly

Can you do it in 30 minutes for each table?



## BenchPro Harding Series

**20,000 lb capacity - 5 minutes assembly**

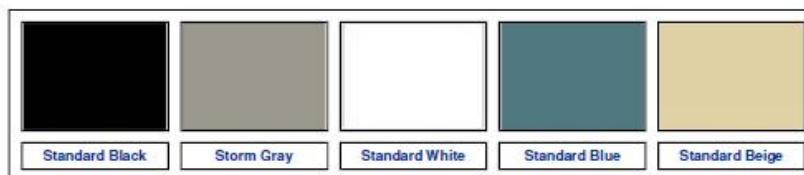
**Defense, Military and Aviation 1<sup>st</sup> choice**

**Starting from \$ 350/bench**



## 5 Business Days Lead Time

5 Frame colors option:



5 Top colors option:



**BenchPro offer 25 color combinations for the  
SAME PRICE & SAME 5 BUSINESS DAYS LEAD TIME**

# No Freight Damage

Most companies



30" x 60" bench on top of  
Standard 48" x 48" pallet

custom 34" x 64" pallet

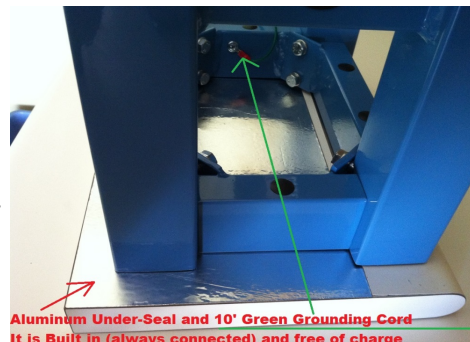


Custom pallet on every single order, made in-house. Free of charge

# ESD Grounding System

BenchPro use industrial grade aluminum sheet as under seal to ensure constant grounded anti-static work surface.

Our competitor's do NOT have this feature which opens the possibility of warping due to humidity and temperature change.



BenchPro provides built-in left and right wrist strap Jack and 10' grounding cord installed on frame.

Free-of-charge

# Warranty

<b>BenchPro™</b>	<b>25-year Unconditional Warranty</b> No hassle process, no paperwork, no return shipment. Just an email with photos.
WSI	Implied warranty. Can't find written warranty on WSI website
Lista	Limited Lifetime Warranty "PRODUCTS PURCHASED BY LISTA, SUCH AS <u>WORK SURFACES, CASTERS, ELECTRICAL FIXTURES, AND MOTORS, ARE NOT COVERED BY LISTA</u> "
IAC	5-yr for wood/metal framed product

# Marketing Support

Mini Bench →→→→→→→→→→→→



e-Flier w/ Inside Source info

Live Customer Service 888-700-9888 for instant quote

Cooler Pack →→→→→→→→→→→→



Every bench will ship w/ Inside Source Label and contact information

# Happy Customers

**From:** L.D.L. [mailto:.....@meei.harvard.edu]

**Sent:** Monday, March 9, 2015 11:59 AM

**Subject:** Re: BenchPro Workbenches and Warranty!

Hi BenchPro,

I just finished putting together our latest purchase from you guys, which arrived today. I have no suggestions, I don't really see how you could improve on your benches!

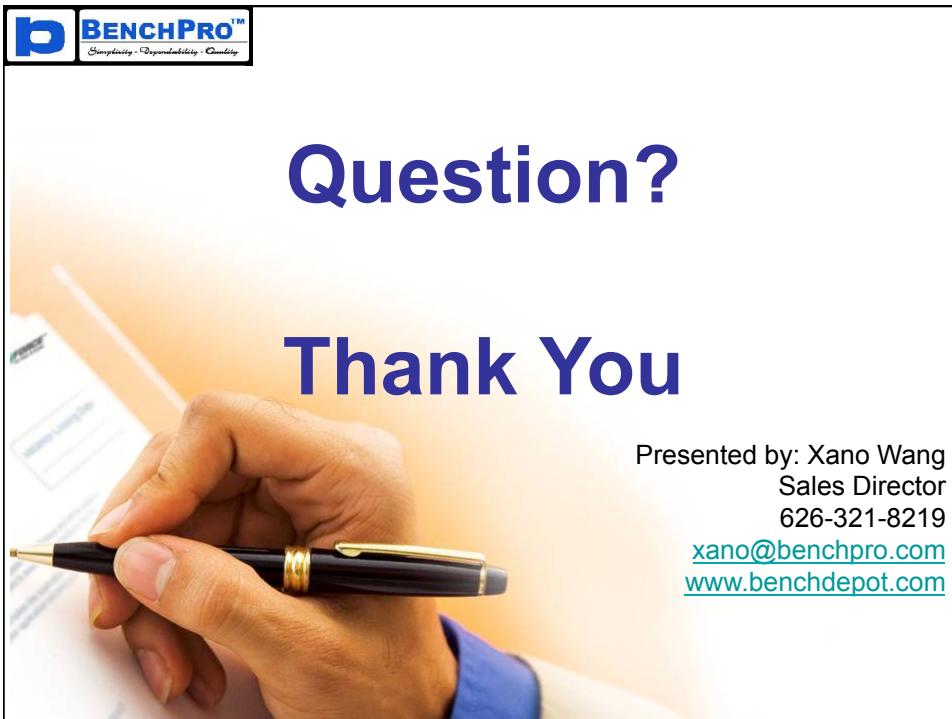
**We have bought MANY over the years when re-purposing rooms, and between the custom sizing, choice of materials, variety of accessories, ease of assembly, and sturdiness, I could not be a more satisfied customer.**

I hope to be retired before our 25-year warranty period has expired (!), but so far we have no need to consider any replacement. Thanks for your message!

Best regards,

L.D.L.  
Mass. Eye & Ear Infirmary  
Harvard University

**UC System, M.I.T., Merck, Kaiser Permanente, St. Jude Hospital, GE, many more**



**Question?**

**Thank You**

Presented by: Xano Wang  
Sales Director  
626-321-8219  
[xano@benchpro.com](mailto:xano@benchpro.com)  
[www.benchdepot.com](http://www.benchdepot.com)